

The SILI DQR Electricity & Steam Calorifier is widely used in marine and offshore industry. It is usually used as hot water supply for the personnel daily usage.

It is under the Chinese standard of CB/T3686-1995 for ship building purpose. It can be also certificated by ABS, BV, CCS and other classification society.

The heating source can be in electricity or steam, or in both source. We can also supply the calorifier only by the electricity heating source.

The tube of steam heating is in bronze material, and the tank body material is carbon steel, the body cover is in white pig iron, there is heat insulating material between the body and the cover.

The hot water temperature can be automatically adjusted between 60 to 70 C degree.

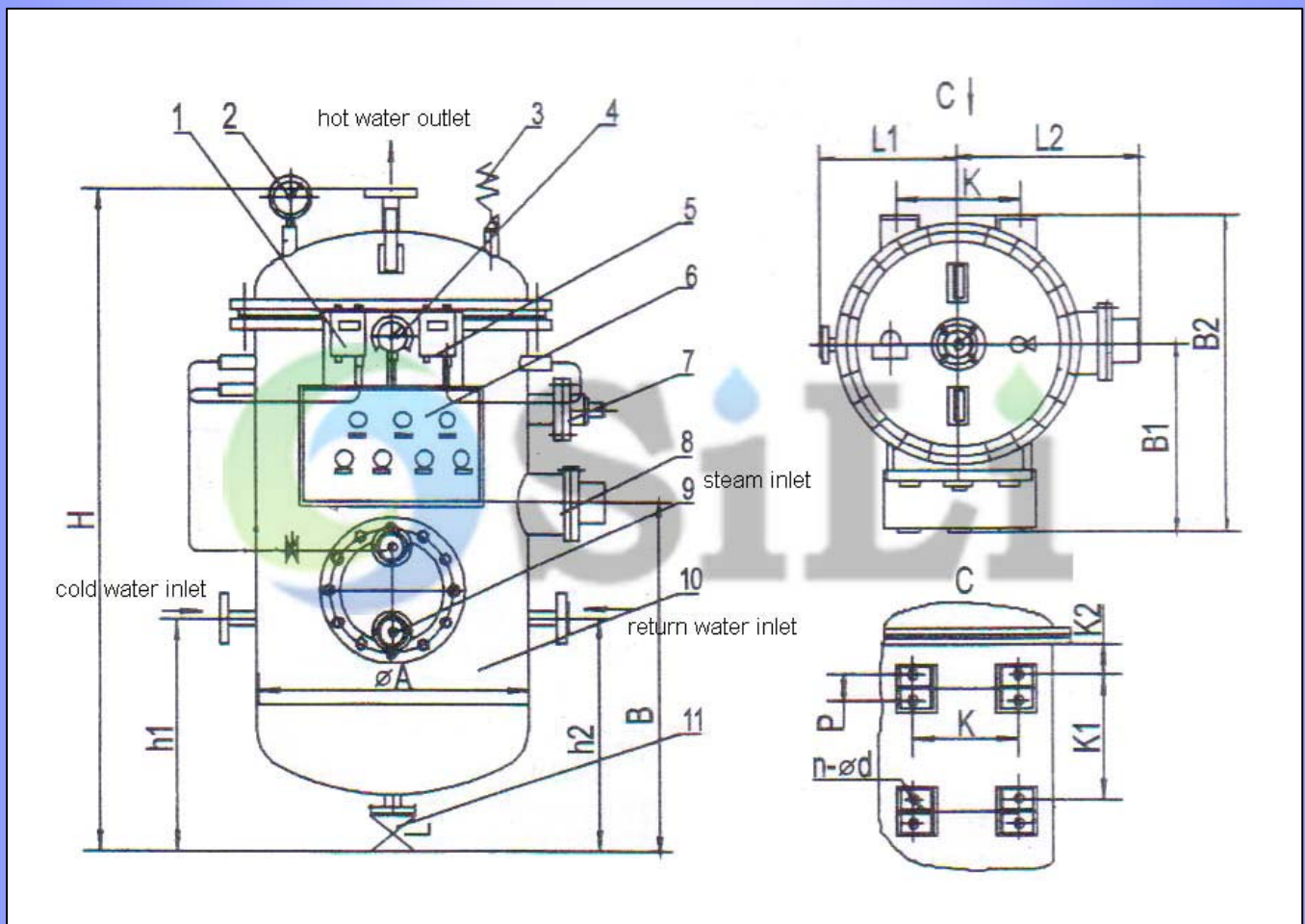
There are two series model: DQRB for Wall-hanging type and DQRZ for Base-supporting type



**DQRB series Electricity & Steam Calorifier**

Working pressure 0.4Mpa, designed pressure 0.45Mpa, water temp outlet 60 to 70 degree.

Steam pressure 0.3Mpa, electrical source 380V/50Hz/3phase(or 440V/60Hz/3phase)



Model	V	Ws	S	We	P	ΦA	H	h1/h2	B	B1	B2	L1	L2	K	K1	n-Φd
	m3	kg/h	kg/h	kg/h	kw	mm										
DQRB0.12	0.12	275	27.5	180	12	400	1240	350	578	460	730	300	480	310	470	4-22
DQRB0.20	0.20	450	45	280	18	500	1366	375	582	533	840	370	500	325	596	4-22
DQRB0.30	0.30	750	75	360	24	600	1650	400	714	585	950	420	562	370	600	4-22

V--- volume of the tank

Ws---water heated by steam per hour

S---steam consumption per hour.

P---the power of electricity heat

ΦA---the diameter of the tank.

Diameter of water inlet, outlet and return: DN25mm

Diameter of steam inlet and outlet: DN20mm

Diameter of the drain flange: DN20mm

1.--- temperature controller

2.--- temperature gauge

3.--- safety valve

4.--- pressure gauge

5.--- temperature gauge

6.--- control panel

7.--- float switch

8.--- electrical heating

9.--- steam heating

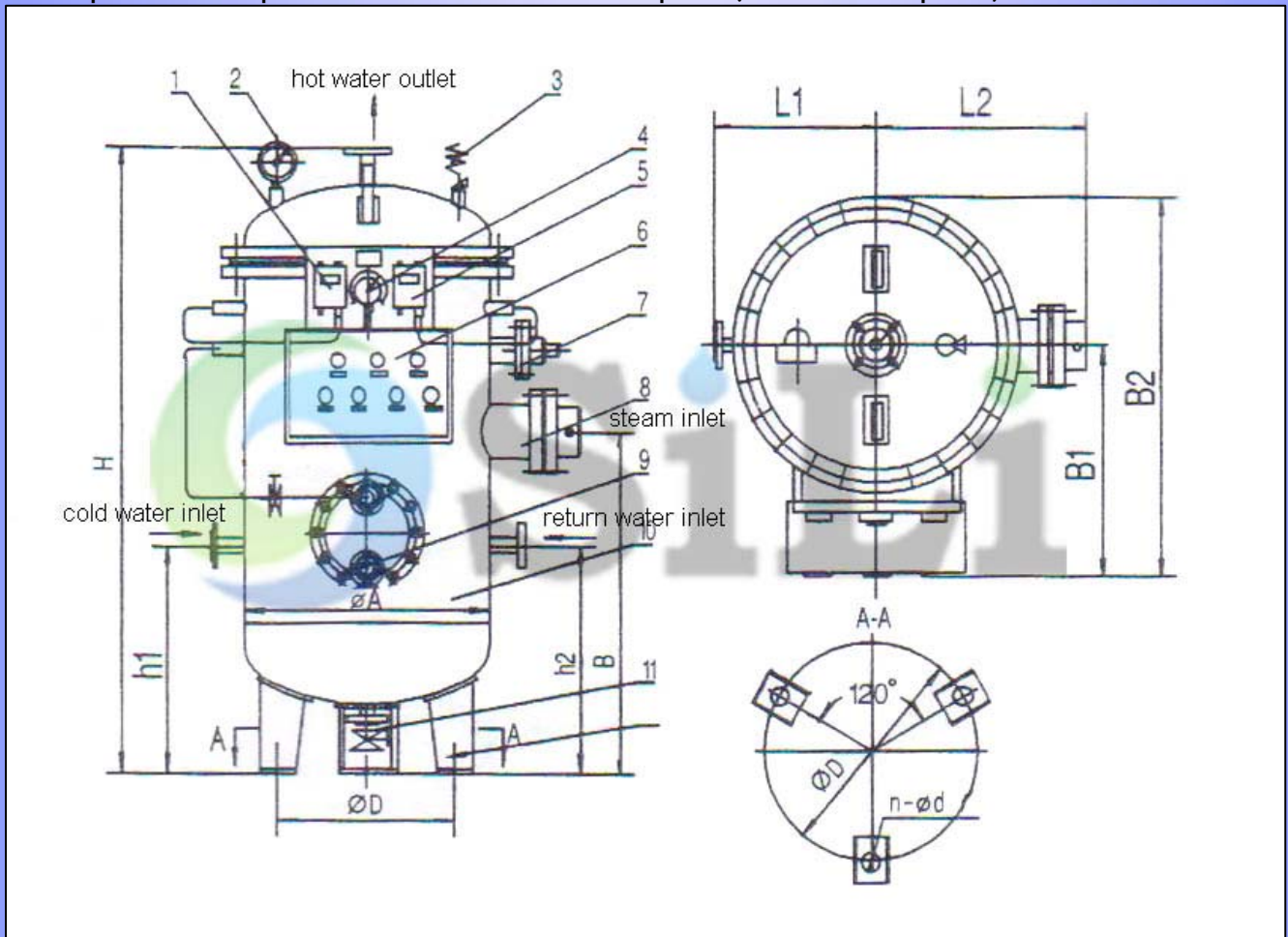
10.--- the body

11.--- drain valve

**DQRZ series Electricity & Steam Calorifier**

Working pressure 0.4Mpa, designed pressure 0.45Mpa, water temp outlet 60 to 70 degree.

Steam pressure 0.3Mpa, electrical source 380V/50Hz/3phase(or 440V/60Hz/3phase)



Model	V	Ws	S	We	P	ΦA	ΦD	H	h1/h2	B	B1	B2	L1	L2	n-Φd
	m3	kg/h	kg/h	kg/h	kw	mm									
DQRZ0.3	0.3	750	75	280	18	612	470	1650	475	880	585	950	420	562	3-25
DQRZ0.5	0.5	1200	120	360	24	712	580	1890	530	890	660	1075	582	655	3-25
DQRZ1.0	1.0	3250	325	360	24	912	750	2150	600	880	750	1365	682	770	3-25

V--- volume of the tank

Ws---water heated by steam per hour

S---steam consumption per hour.

P---the power of electricity heat

ΦA---the diameter of the tank.

Diameter of water inlet, outlet and return: DN32mm

Diameter of steam inlet and outlet: DN25mm

Diameter of the drain flange: DN20mm

1.--- temperature controller

2.--- temperature gauge

3.--- safety valve

4.--- pressure gauge

5.--- temperature gauge

6.--- control panel

7.--- float switch

8.--- electrical heating

9.--- steam heating

10.--- the body

11.--- drain valve

12.--- the supporting base.

## SILI PUMP,

Your reliable one-stop supplier of marine pumps.

Shanghai SILI PUMP Industry Co., Ltd.

Add: No.128 Jinyuan Road, 201518, Shanghai, China (Jinyuan Industry Area)

Tel: 0086-21-39109967, fax: 0086-21-39109967

Web: www.silipump.com e-mail: sales@silipump.com

(The company reserves the right to make alteration without notice)