

The SILI CS marine hand piston pump is of double-acting reciprocating piston structure, which is widely used on board ships or vessels, suitable for delivery of fresh water, sea water, bilge, sewage and non-corrosive liquids. It is not suitable for the liquids containing fibers or solid particle.

The CS hand pump is divided into two types, with different material, one is for fresh water, sea water, and another type is Lub. oil, fuel oil and so on. Max temp, 60 C degree.

- Piston type
- Self priming
- Double reciprocating action
- Two type available for water and oil.



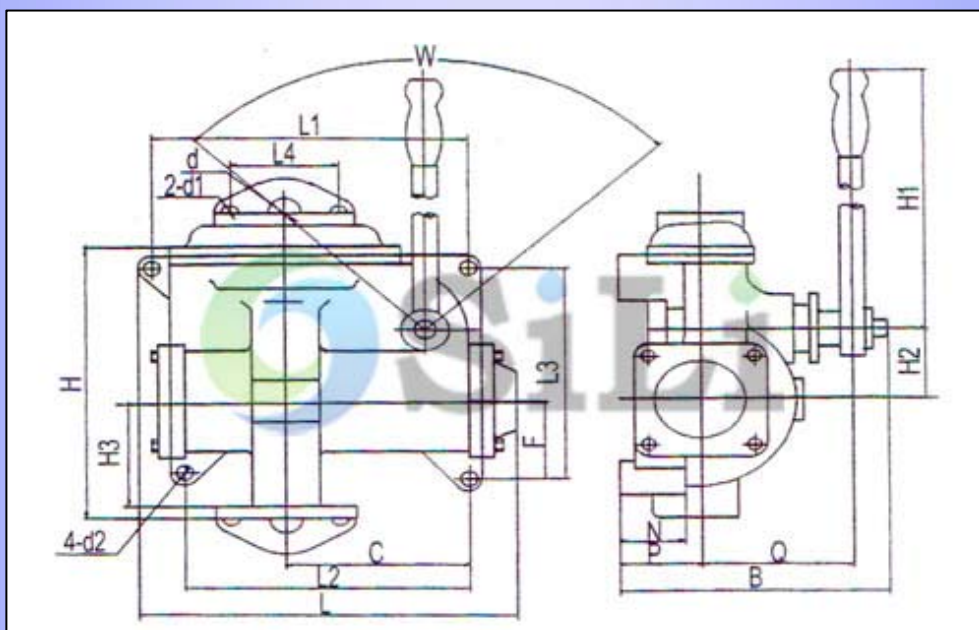
Specification

Model	Connection (mm)	Capacity L/min(m ³ /h)	Head (m)	Suction H. (m)	Cylinder dia. (mm)	Piston stroke (mm)	Applied force (N)	Weight (kg)
CS-15Y,H	Φ15	10(0.6)	20-25	3	55	50	132	4
CS-20Y,H	Φ20	20(1.2)	20-25	5	65	68	206	5.5
CS-25Y,H	Φ25	32(1.92)	20-25	6	75	72	240	7.5
CS-32Y,H	Φ32	40(2.4)	20-25	5	88	90	275	100
CS-40Y,H	Φ40	65(3.9)	20-25	6	95	96	285	12

CS-Y for oil liquid, such as lub oil, fuel oil, sludge oil and so on.

CS-H for water liquid, such as sea water, fresh water, bilge and so on.

All pump reciprocating time one minute 50 min⁻¹



Unit: mm

Model	d	L	B	H	H1	H2	H3	L1	L2	L3	L4	d1	d2	N	C	F	P	Q	W
CS-15Y,H	Φ15	196	134	168	300	42	56	161	141	114	53	M8	Φ9	35	89	46	45	65	<76
CS-20Y,H	Φ20	222	162	210	305	49	72	180	152	134	63	M10	Φ9	40	96	56	50	88	<77
CS-25Y,H	Φ25	250	180	220	400	58	77	205	180	150	70	M10	Φ11	40	114	64	58	96	<76
CS-32Y,H	Φ32	290	218	249	510	62	86	225	200	165	81	M12	Φ13	50	125	70	65	124	<82
CS-40Y,H	Φ40	302	218	266	630	68	94	240	215	178	91	M12	Φ13	50	136	77	70	118	<78

Spare parts and material

A handle is connected with the pump piston through, connection rod and shaft. When shaking the handle, the piston will be in reciprocating motion insides the cylinder. The valves will be open and closed alternately, and the liquid suction and discharge.

Item	CS-Y	CS-H
Pump body	aluminum alloy	aluminum alloy
Pump cover	aluminum alloy	aluminum alloy
Piston	aluminum alloy	aluminum alloy
Cylinder	cast iron	bronze
Piston ring	cast iron	rubber
Valve	cast iron	bronze
Valve seat	cast iron	bronze
Connecting rod	Stainless steel	Stainless steel
Shaft	Stainless steel	Stainless steel

Usage and maintenance

- Clean and check the pump before installation.
- Please don't use the thin-wall plastic hose, to avoid suction difficulty in operation.
- When liquid temp is higher than 70 C degree, a flooded head is requested.
- Drain the pump completely if the temp is below zero C degree, to prevent any frost.
- Check the pump piston ring, valve and valve seat every three month. If the wear is too big, it should be replaced
- Coat the moving component with a protective oil layer if pump is not used within three months.

SILI PUMP, Your reliable one-stop supplier of marine pumps.

Shanghai SILI PUMP Industry Co., Ltd.

Add: No.128 Jinyuan Road, 201518, Shanghai, China (Jinyuan Industry Area)

Tel: 0086-21-39109967, fax: 0086-21-39109967

Web: www.silipump.com e-mail: sales@silipump.com

(The company reserves the right to make alteration without notice)