

YCB is a kind of gear oil pump, with gear teeth are in double circular-arc, which makes the gears less wear on gear surface, stable revolution, and low noise.

Pump is mainly used as a supply pump for non-corrosive oil at temp below 120 C degree, viscosity range 2 to 1500cst.

Pump is provided with built-in relief valve.

Shaft seal is provided with mechanical seal (standard) or soft packing(optional).

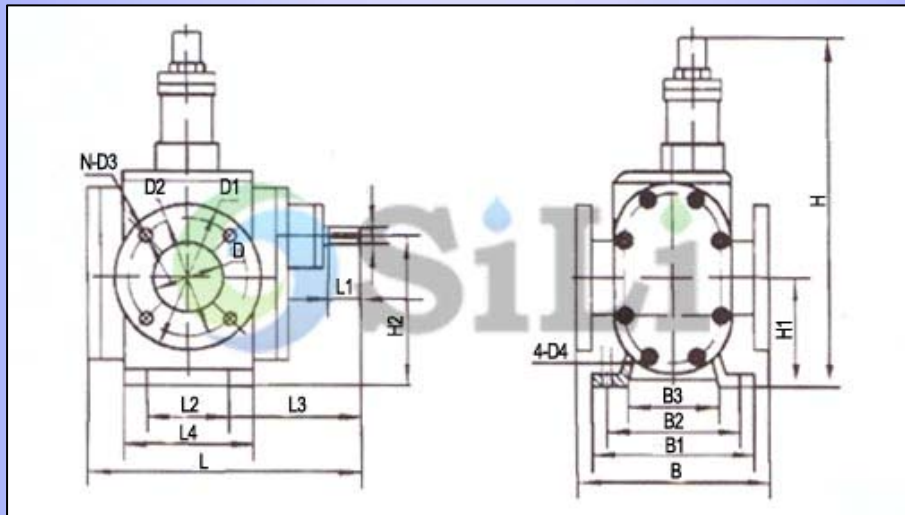
Pump can be equipped with heating jacket, through hot oil, steam, water and so on.

Pump specification in 50Hz/3phase motor, AC source motor.

Specification tested in viscosity 40cst

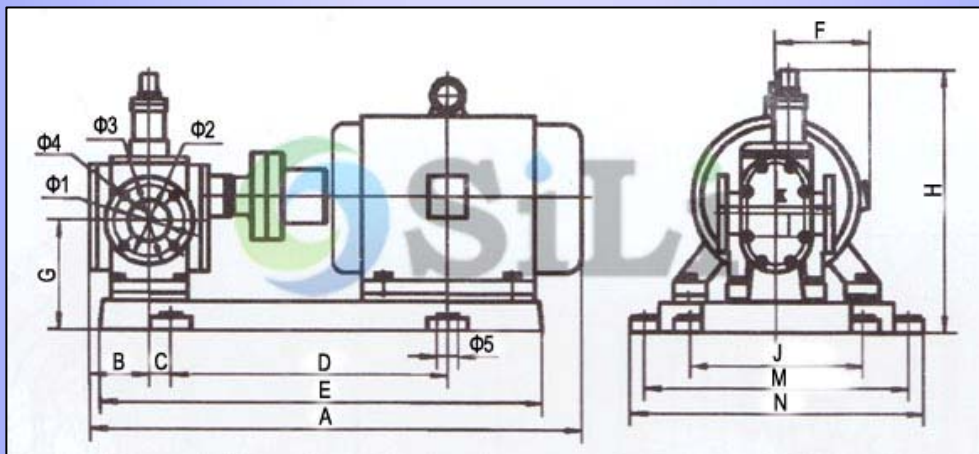


| Model | Flange (mm) | Capacity (m3/h) | Capacity (L/min) | Pressure (Mpa) | NPSHr (m) | Speed (rpm) | Power (kw) |
|-------------|-------------|-----------------|------------------|----------------|-----------|-------------|------------|
| YCB-0.6/0.6 | DN25 | 0.6 | 10 | 0.6 | 6 | 910 | 0.75 |
| YCB-1.0/0.6 | DN25 | 1.0 | 16 | 0.6 | 6 | 1400 | 0.75 |
| YCB-1.6/0.6 | DN32 | 1.6 | 26 | 0.6 | 6 | 910 | 0.75 |
| YCB-2.5/0.6 | DN32 | 2.5 | 40 | 0.6 | 6 | 1400 | 1.1 |
| YCB-3.3/0.6 | DN40 | 3.3 | 55 | 0.6 | 6 | 910 | 1.5 |
| YCB-5/0.6 | DN40 | 5 | 83.3 | 0.6 | 6 | 1400 | 2.2 |
| YCB-4/0.6 | DN50 | 4 | 67 | 0.6 | 6 | 910 | 1.5 |
| YCB-6/0.6 | DN50 | 6 | 100 | 0.6 | 6 | 1400 | 2.2 |
| YCB-8/0.6 | DN65 | 8 | 135 | 0.6 | 6 | 910 | 3 |
| YCB-12/0.6 | DN65 | 12 | 200 | 0.6 | 6 | 1400 | 5.5 |
| YCB-10/0.6 | DN65 | 10 | 167 | 0.6 | 6 | 910 | 4 |
| YCB-15/0.6 | DN65 | 15 | 250 | 0.6 | 6 | 1400 | 5.5 |
| YCB-20/0.6 | DN80 | 20 | 330 | 0.6 | 6 | 970 | 7.5 |
| YCB-25/0.6 | DN100 | 25 | 417 | 0.6 | 6 | 970 | 11 |
| YCB-30/0.6 | DN100 | 30 | 500 | 0.6 | 6 | 970 | 11 |
| YCB-40/0.6 | DN125 | 40 | 667 | 0.6 | 6 | 970 | 15 |
| YCB-50/0.6 | DN125 | 50 | 833 | 0.6 | 6 | 970 | 22 |



Unit: mm

| Model | L | L1 | L2 | L3 | L4 | B | B1 | B2 | B3 | H | H1 | H2 | D | D1 | D2 | N-D3 | 4-D4 |
|-------------|-----|----|-----|-----|-----|-----|-----|-----|-----|-----|-----|-----|-----|-----|-----|------|------|
| YCB-0.6/0.6 | 180 | 30 | 45 | 107 | 66 | 125 | 91 | 70 | 35 | 187 | 80 | 92 | 25 | 100 | 75 | 4-10 | 4-9 |
| YCB-1.0/0.6 | 208 | 32 | 55 | 118 | 80 | 150 | 115 | 90 | 50 | 208 | 80 | 95 | 32 | 120 | 90 | 4-14 | 4-11 |
| YCB-1.6/0.6 | 208 | 32 | 55 | 118 | 80 | 150 | 115 | 90 | 50 | 208 | 80 | 95 | 32 | 120 | 90 | 4-14 | 4-11 |
| YCB-2.5/0.6 | 247 | 35 | 70 | 132 | 98 | 180 | 148 | 120 | 75 | 258 | 87 | 110 | 40 | 130 | 100 | 4-14 | 4-13 |
| YCB-3.3/0.6 | 247 | 35 | 70 | 132 | 98 | 180 | 148 | 120 | 75 | 258 | 87 | 110 | 40 | 130 | 100 | 4-14 | 4-13 |
| YCB-5/0.6 | 260 | 35 | 80 | 134 | 108 | 180 | 148 | 120 | 75 | 263 | 92 | 115 | 50 | 140 | 110 | 4-14 | 4-13 |
| YCB-4/0.6 | 260 | 35 | 80 | 134 | 108 | 180 | 148 | 120 | 75 | 263 | 92 | 115 | 50 | 140 | 110 | 4-14 | 4-13 |
| YCB-6/0.6 | 313 | 45 | 100 | 158 | 138 | 220 | 178 | 140 | 90 | 361 | 105 | 135 | 65 | 160 | 130 | 4-14 | 4-13 |
| YCB-8/0.6 | 313 | 45 | 100 | 158 | 138 | 220 | 178 | 140 | 90 | 361 | 105 | 135 | 65 | 160 | 130 | 4-14 | 4-13 |
| YCB-12/0.6 | 330 | 45 | 100 | 168 | 138 | 220 | 178 | 140 | 90 | 360 | 105 | 135 | 65 | 160 | 130 | 4-14 | 4-13 |
| YCB-10/0.6 | 330 | 45 | 100 | 168 | 138 | 220 | 178 | 140 | 90 | 360 | 105 | 135 | 65 | 160 | 130 | 4-14 | 4-13 |
| YCB-15/0.6 | 400 | 55 | 135 | 201 | 182 | 260 | 226 | 180 | 118 | 436 | 130 | 170 | 80 | 190 | 150 | 4-18 | 4-18 |
| YCB-20/0.6 | 400 | 55 | 135 | 201 | 182 | 260 | 226 | 180 | 118 | 436 | 130 | 170 | 80 | 190 | 150 | 4-18 | 4-18 |
| YCB-25/0.6 | 430 | 55 | 135 | 216 | 182 | 260 | 226 | 180 | 118 | 436 | 130 | 170 | 100 | 210 | 170 | 4-18 | 4-18 |
| YCB-30/0.6 | 459 | 60 | 150 | 236 | 200 | 275 | 231 | 190 | 126 | 461 | 141 | 185 | 100 | 210 | 170 | 4-18 | 4-18 |
| YCB-40/0.6 | 500 | 70 | 175 | 251 | 225 | 300 | 260 | 210 | 140 | 509 | 157 | 205 | 125 | 240 | 200 | 8-18 | 4-18 |
| YCB-50/0.6 | 493 | 70 | 175 | 246 | 225 | 300 | 260 | 210 | 140 | 509 | 157 | 205 | 125 | 240 | 200 | 8-18 | 4-18 |



Unit: mm

| Model | A | B | C | D | E | F | G | H | J | K | M | N | Φ1 | Φ2 | Φ3 | N*Φ14 | N*Φ5 |
|-------------|------|-----|----|-----|------|-----|-----|-----|-----|-----|-----|-----|-----|-----|-----|-------|------|
| YCB-0.6/0.6 | 505 | 50 | 22 | 280 | 421 | 155 | 115 | 232 | 136 | 125 | 222 | 252 | 25 | 75 | 100 | 4-10 | 4-14 |
| YCB-1.0/0.6 | 486 | 50 | 22 | 264 | 405 | 150 | 115 | 217 | 136 | 125 | 207 | 237 | 25 | 75 | 100 | 4-10 | 4-14 |
| YCB-1.6/0.6 | 547 | 63 | 27 | 303 | 455 | 155 | 115 | 243 | 156 | 150 | 222 | 252 | 32 | 90 | 120 | 4-14 | 4-14 |
| YCB-2.5/0.6 | 547 | 63 | 27 | 303 | 455 | 155 | 115 | 243 | 156 | 150 | 222 | 252 | 32 | 90 | 120 | 4-14 | 4-14 |
| YCB-3.3/0.6 | 644 | 76 | 35 | 344 | 544 | 180 | 127 | 298 | 198 | 180 | 266 | 298 | 40 | 100 | 130 | 4-14 | 4-16 |
| YCB-5/0.6 | 644 | 76 | 35 | 344 | 544 | 180 | 127 | 298 | 198 | 180 | 266 | 298 | 40 | 100 | 130 | 4-14 | 4-16 |
| YCB-4/0.6 | 667 | 82 | 40 | 346 | 557 | 180 | 127 | 298 | 198 | 180 | 256 | 288 | 50 | 110 | 140 | 4-14 | 4-16 |
| YCB-6/0.6 | 667 | 82 | 40 | 346 | 557 | 180 | 127 | 298 | 198 | 180 | 256 | 288 | 50 | 110 | 140 | 4-14 | 4-16 |
| YCB-8/0.6 | 795 | 101 | 50 | 382 | 644 | 210 | 140 | 396 | 218 | 220 | 332 | 364 | 65 | 130 | 160 | 4-14 | 4-16 |
| YCB-12/0.6 | 795 | 101 | 50 | 382 | 644 | 210 | 140 | 396 | 218 | 220 | 332 | 364 | 65 | 130 | 160 | 4-14 | 4-16 |
| YCB-10/0.6 | 849 | 111 | 50 | 430 | 690 | 210 | 140 | 396 | 218 | 220 | 332 | 364 | 65 | 130 | 160 | 4-14 | 4-16 |
| YCB-15/0.6 | 808 | 111 | 50 | 392 | 652 | 210 | 140 | 396 | 218 | 220 | 332 | 364 | 65 | 130 | 160 | 4-14 | 4-16 |
| YCB-20/0.6 | 1009 | 131 | 29 | 566 | 845 | 255 | 165 | 471 | 270 | 260 | 380 | 416 | 80 | 150 | 190 | 4-18 | 4-18 |
| YCB-25/0.6 | 1100 | 146 | 29 | 603 | 904 | 255 | 165 | 471 | 270 | 260 | 385 | 421 | 100 | 170 | 210 | 4-18 | 4-18 |
| YCB-30/0.6 | 1125 | 147 | 35 | 646 | 954 | 255 | 195 | 517 | 295 | 275 | 400 | 436 | 100 | 170 | 210 | 4-18 | 4-18 |
| YCB-40/0.6 | 1214 | 161 | 42 | 673 | 1023 | 285 | 212 | 562 | 315 | 300 | 425 | 461 | 125 | 200 | 240 | 8-18 | 4-18 |
| YCB-50/0.6 | 1300 | 159 | 52 | 680 | 1080 | 310 | 237 | 590 | 340 | 300 | 476 | 536 | 125 | 200 | 240 | 8-18 | 4-18 |

SILI PUMP,

Your reliable one-stop supplier of marine pumps.

Shanghai SILI PUMP Industry Co., Ltd.

Add: No.128 Jinyuan Road, 201518, Shanghai, China (Jinyuan Industry Area)

Tel: 0086-21-39109967, fax: 0086-21-39109967

Web: www.silipump.com e-mail: sales@silipump.com

(The company reserves the right to make alteration without notice)