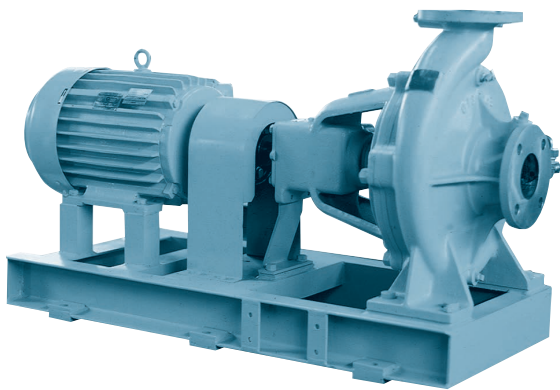




CENTRIFUGAL PUMP

EHC



Application

Cooling Fresh Water
Cooling Sea Water
Sea Water Service

Feature

Horizontal Single-stage Single-suction

SILI PUMP,
Your reliable one-stop supplier of marine pumps.

Shanghai SILI PUMP Industry Co., Ltd.
Add: No.128 Jinyuan Road, 201518, Shanghai, China (Jinyuan Industry Area)
Tel: 0086-21-39109967, fax: 0086-21-39109967
Web: www.silipump.com e-mail: sales@silipump.com
(The company reserves the right to make alteration without notice)

I. APPLICATION	1
II. CONSTRUCTION	1
III. NAME & MATERIAL	1
IV. MODEL CODE	2
V. CAPABILITY TABLE (50HZ)	2
VI. CURVE OF CAPABILITY (50HZ)	5
VII. DIMENSION (50HZ)	5
VIII. CAPABILITY TABLE (60HZ)	7
VIII. CURVE OF CAPABILITY (60HZ)	10
IX. DIMENSION (60HZ)	10
X. BACK		

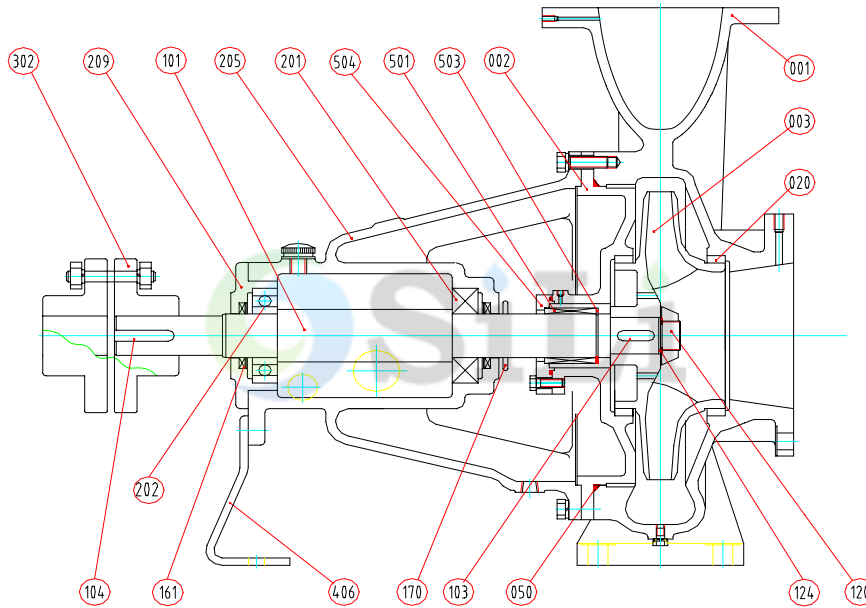
● APPLICATION

Fresh Water、Sanitary、Cooling Water。

● CONSTRUCTION

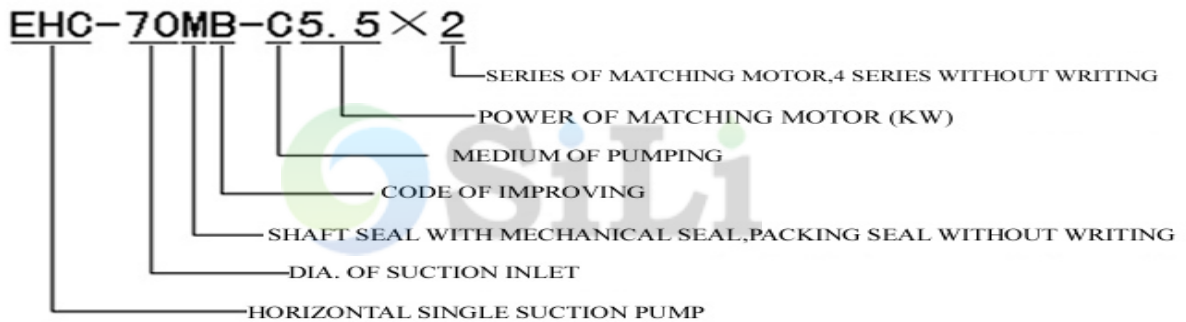
The EHC-type is non self-priming. The gland-packing is applied as standard method of shaft sealing。

● NAME & MATERIAL



serial number	name	number	material	
			seawater	freshwater
001	casing	1	bronze	cast iron
002	casing cover	1	bronze	cast iron
003	impeller	1	bronze	bronze
020	casing ring	1	bronze	bronze
050	O-ring	1	rubber	rubber
101	shaft	1	stainless steel	stainless steel
103	impeller key	2	stainless steel	stainless steel
104	coupling key	1	carbon steel	carbon steel
120	impeller nut	1	stainless	stainless
124	impeller washing	1	stainless steel	stainless steel
161	retaining ring	1	stainless steel	stainless steel
170	flinger	1	rubber	rubber
201	bear	1	bearing steel	bearing steel
202	ball bearing	1	bear steel	bear steel
205	bear housing	1	cast iron	cast iron
209	bearing cover	1	cast iron	cast iron
302	coupling	1	carbon steel	carbon steel
406	support	1	mild steel	mild steel
501	gland packing	4 (1)		
503	lantern ring	1	bronze	bronze
504	gland	1	bronze	bronze

● MODEL CODE



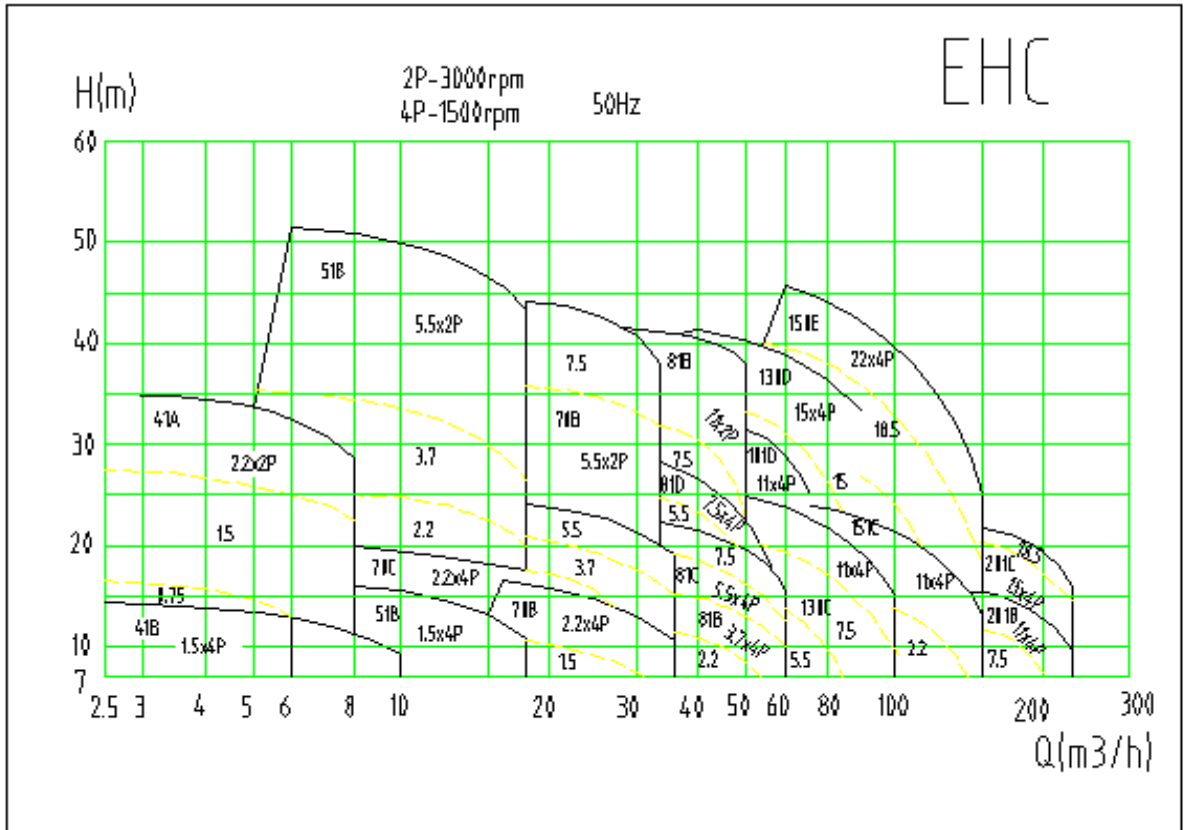
● THE CAPABILITY TABLE OF THE EHC-TYPEWITH 50Hz

TYPE		CAPACITY		TOTAL HEAD (m)	SPEED (rpm)	POWER (KW)		MOTOR-TYPE
		m ³ /h	l/min			SHAFT POWER	MATCHING POWER	
EHC-41A	-2.2*2	4.50	75	35.00	3000	1.40	2.2	YH90L-2B3
		7.50	125	30.00		1.60		
		9.00	150	25.00		1.50		
	-1.5*2	4.50	75	27.00	3000	1.10	1.5	YH90S-2B3
		7.50	125	23.00		1.20		
		9.00	150	19.00		1.20		
	-0.75*2	3.50	58	15.00	3000	.50	0.75	YH801-2B3
		6.00	100	12.50		.60		
		7.00	125	10.00		.50		
EHC-41B	-1.5	5.50	92	12.50	3000	.50	1.5	YH90L-4B3
		9.50	158	10.00		.75		
		11.00	183	8.00		.80		
EHC-51B	-1.5	10.00	167	15.00	1500	1.00	1.5	YH90L-4B3
		16.00	267	12.50		1.10		
		20.00	333	9.00		1.00		
	-0.75	7.00	117	9.00	1500	.40	0.75	YH802-4B3
		11.00	183	7.50		.50		
		14.00	233	6.00		35.00		
	-5.5*2	10.00	167	51.00	3000	3.80	5.5	YH132S1-2B3
		16.00	267	45.00		4.40		
		20.00	333	36.00		4.70		
	-3.7*2	10.00	167	35.00	3000	2.50	4	YH112M-2B3
		16.00	267	30.00		3.00		
		20.00	333	22.50		3.00		
	-2.2*2	9.00	150	25.00	3000	1.75	2.2	YH90L-2B3
		15.00	250	22.50		2.00		
		18.00	300	20.00		2.00		
EHC-70B	-2.2	14.00	233	15.50	1500	1.20	2.2	YH100L1-4B3
		24.00	400	14.00		1.50		
		28.00	467	13.00		1.70		
	-1.5	13.00	217	11.00	1500	.80	1.5	YH90L-4B3
		22.00	367	10.00		1.00		
		26.00	433	9.00		1.10		
	-7.5*2	18.00	300	45.00	3000	5.00	7.5	YH132S2-2B3
		30.00	500	40.00		6.00		
		36.00	600	30.00		6.00		
	-5.5*2	18.00	300	36.00	3000	4.40	5.5	YH132S1-2B3
		30.00	500	33.00		5.10		
		36.00	600	28.00		5.30		

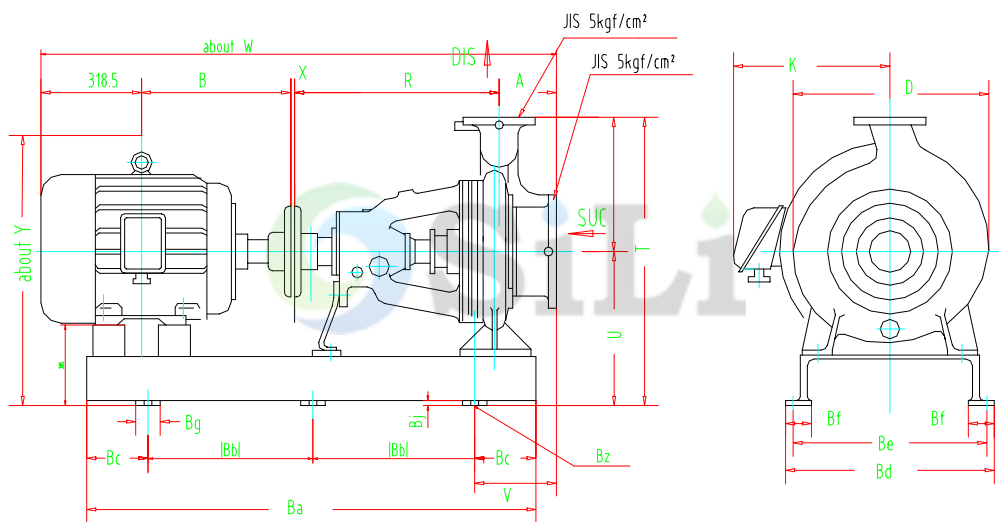
TYPE		CAPACITY		TOTAL HEAD (m)	SPEED (rpm)	POWER (KW)		MOTOR-TYPE
		m ³ /h	l/min			SHAFT POWER	MATCHING POWER	
EHC-70C	-5.5	20.00	333	24.00	1500	3.10	5.5	YH132S-4B3
		34.00	567	20.00		3.40		
		40.00	667	17.50		3.80		
	-3.7	20.00	333	21.00	1500	2.70	4	YH112M-4B3
		34.00	567	16.00		2.80		
		40.00	667	12.00		3.00		
	-2.2	19.00	317	17.50	1500	1.60	2.2	YH100L1-4B3
		32.00	533	10.00		1.70		
		38.00	633	5.00		2.00		
EHC-81B	-3.7	30.00	500	15.70	1500	2.10	4	YH112M-4B3
		50.00	833	13.00		2.70		
		60.00	1000	10.00		2.80		
	-2.2	30.00	500	13.20	1500	1.70	2.2	YH100L1-4B3
		50.00	833	8.40		1.80		
		60.00	1000	5.50		1.80		
	-11*2	30.00	500	41.00	3000	7.40	11	YH160M-2B3
		52.50	875	37.50		9.70		
		60.00	1000	32.50		10.00		
	-7.5*2	24.00	400	32.50	3000	5.00	7.5	YH132M-2B3
		40.00	667	30.00		6.00		
		48.00	800	22.50		6.50		
EHC-81C	-7.5	27.00	450	22.50	1500	3.70	7.5	YH132M-4B3
		45.00	750	20.00		4.50		
		54.00	900	18.00		4.70		
	-5.5	27.00	450	20.50	1500	3.50	5.5	YH132S-4B3
		45.00	750	18.00		4.00		
		54.00	900	15.00		4.10		
	-3.7	27.00	450	15.00	1500	2.50	4	YH112M-4B3
		45.00	750	12.00		2.70		
		54.00	900	8.00		3.00		
EHC-81D	-7.5	22.50	375	30.00	1500	4.30	7.5	YH132M-4B3
		37.50	625	27.50		5.30		
		45.00	750	25.00		5.60		
	-5.5	22.50	375	27.00	1500	4.10	5.5	YH132S-4B3
		37.50	625	23.00		4.50		
		45.00	750	20.00		4.50		
EHC-101D	-11	33.00	550	34.00	1500	5.70	11	YH160M-4B3
		55.00	917	30.00		7.50		
		66.00	1100	26.00		8.00		
	-7.5	33.00	550	26.00	1500	4.60	7.5	YH132M-4B3
		55.00	917	20.00		5.00		
		66.00	1100	15.00		4.70		
EHC-130C	-11	45.00	750	23.00	1500	5.00	11	YH160M-4B3
		75.00	1250	20.00		6.30		
		90.00	1500	17.50		6.60		
	-7.5	45.00	750	21.00	1500	4.50	7.5	YH132M-4B3
		75.00	1250	17.00		5.40		
		90.00	1500	12.50		4.80		
	-5.5	45.00	750	16.00	1500	3.00	5.5	YH132S-4B3
		75.00	1250	11.00		3.50		
		90.00	1500	5.00		2.00		

TYPE		CAPACITY		TOTAL HEAD (m)	SPEED (rpm)	POWER (KW)		MOTOR-TYPE
		m ³ /h	l/min			SHAFT POWER	MATCHING POWER	
EHC-130D	-15	50.00	833	41.00	1500	11.00	15	YH160L-4B3
		85.00	1417	35.00		13.00		
		100.00	1667	30.00		13.00		
	-11	42.00	700	35.00	1500	8.00	11	YH160M-4B3
		70.00	1167	27.50		8.30		
		85.00	1417	21.00		8.00		
	-7.5	42.00	700	27.00	1500	5.50	7.5	YH132M1-4B3
		70.00	1167	20.00		6.00		
		85.00	1417	12.50		6.00		
EHC-151C	-11	60.00	1000	22.00	1500	6.40	11	YH160M-4B3
		100.00	1667	20.00		8.40		
		120.00	2000	18.00		9.00		
	11	60.00	1000	20.50	1500	5.00	11	YH160M-4B3
		100.00	1667	17.00		7.00		
		120.00	2000	14.00		7.00		
	-7.5	60.00	1000	17.50	1500	4.50	7.5	YH132M-4B3
		100.00	1667	14.00		5.80		
		120.00	2000	11.00		5.50		
EHC-150E	-22	72.00	1200	45.00	1500	16.50	22	YH180L-4B3
		120.00	2000	35.00		20.00		
		144.00	2400	27.00		21.00		
	-18.5	72.00	1200	38.00	1500	14.00	18.5	YH180M-4B3
		120.00	2000	29.00		16.60		
		144.00	2400	20.00		16.30		
	-15	65.00	1083	31.00	1500	10.00	15	YH160L-4B3
		110.00	1833	20.00		10.60		
		130.00	2167	12.00		9.00		
EHC-201B	-11	95.00	1583	15.80	1500	7.00	11	YH160M-4B3
		160.00	2667	14.00		9.00		
		190.00	3167	12.50		9.50		
	-7.5	95.00	1583	13.50	1500	6.00	7.5	YH132M-4B3
		160.00	2667	11.00		7.00		
		190.00	3167	8.50		6.50		
EHC-201C	-18.5	120.00	2000	22.50	1500	12.60	18.5	YH180M-4B3
		200.00	3333	20.00		15.00		
		240.00	4000	15.00		14.00		
	-15	120.00	2000	21.00	1500	12.00	15	YH160L-4B3
		200.00	3333	17.50		13.00		
		240.00	4000	12.50		12.00		
	-11	105.00	1750	17.00	1500	8.50	11	YH160M-4B3
		175.00	2917	15.00		10.00		
		210.00	3500	9.00		8.00		

● THE CURVE OF CAPABILITY



● DIMENSION



TYPE	MOTOR		BORE		DIMENSION (mm)																			
	KW	RPM	SUC	DIS	A	B	D	K	R	T	U	V	W	X	Y	Ba	Bb	Bc	Bd	Be	Bf	Bg	Bj	Bz
EHC-41A	.75	3000	40	40	80	140	207	150	360	400	240	145	733	3	365	700	450	125	325	290	55	50	12	4-Φ15
EHC-41A	1.5	3000	40	40	80	156	207	155	360	400	240	145	793	3	375	700	450	125	325	290	55	50	12	4-Φ15
EHC-41A	2.2	3000	40	40	80	169	207	155	360	400	240	145	793	3	375	700	450	125	325	290	55	50	12	4-Φ15
EHC-41B	1.5	1500	40	40	80	169	260	155	360	450	270	145	793	3	375	700	450	125	325	290	55	50	12	4-Φ15
EHC-51B	1.5	1500	50	50	100	169	268	155	360	450	270	165	813	3	405	700	450	125	325	290	55	50	12	4-Φ15
EHC-51B	2.2	3000	50	50	100	169	268	155	360	450	270	165	813	3	405	700	450	125	325	290	55	50	12	4-Φ15
EHC-51B	4	3000	50	50	100	200	268	190	360	450	270	165	868	3	428	800	500	150	325	290	55	50	12	4-Φ15
EHC-51B	5.5	3000	50	50	100	239	268	210	360	450	270	165	943	3	458	800	500	150	325	290	55	50	12	4-Φ15
EHC-70B	1.5	1500	65	65	100	169	268	155	360	470	270	165	813	3	405	700	450	125	325	290	55	50	12	4-Φ15
EHC-70B	2.2	1500	65	65	100	193	268	190	360	470	270	165	848	3	420	700	450	125	325	290	55	50	12	4-Φ15
EHC-70B	5.5	3000	65	65	100	239	268	210	360	470	270	165	943	3	458	800	500	150	325	290	55	50	12	4-Φ15
EHC-70B	7.5	3000	65	65	100	239	268	210	360	470	270	165	943	3	458	800	500	150	325	290	55	50	12	4-Φ15
EHC-70C	2.2	1500	65	65	100	193	338	155	360	515	290	165	848	3	440	800	500	150	390	350	65	60	12	4-Φ15
EHC-70C	4	1500	65	65	100	210	338	190	360	515	290	165	868	3	448	800	500	150	390	350	65	60	12	4-Φ15
EHC-70C	5.5	1500	65	65	100	239	338	210	360	515	290	165	943	3	478	800	500	150	390	350	65	60	12	4-Φ15
EHC-81B	2.2	1500	80	80	100	193	326	155	360	515	290	165	848	3	440	800	500	150	390	350	65	60	12	4-Φ15
EHC-81B	4	1500	80	80	100	200	326	190	360	515	290	165	868	3	448	800	500	150	390	350	65	60	12	4-Φ15
EHC-81B	7.5	3000	80	80	100	239	326	210	360	515	290	165	943	3	478	1000	350	150	390	350	65	60	12	4-Φ15
EHC-81B	11	3000	80	80	100	323	326	255	360	515	290	165	1068	3	515	1000	350	150	390	350	65	60	12	4-Φ15
EHC-81C	5.5	1500	80	80	100	239	364	210	470	570	320	160	1053	3	508	1000	350	150	470	430	65	60	12	4-Φ19
EHC-81C	7.5	1500	80	80	100	258	364	210	470	570	320	160	1093	3	508	1000	350	150	470	430	65	60	12	4-Φ19
EHC-81D	5.5	1500	80	80	125	239	413	210	470	625	345	185	1078	3	533	1000	350	150	470	430	65	60	12	4-Φ19
EHC-81D	7.5	1500	80	80	125	258	413	210	470	625	345	185	1118	3	533	1000	350	150	470	430	65	60	12	4-Φ19
EHC-101D	11	1500	100	100	125	323	413	255	470	685	370	185	1203	3	595	1100	400	150	470	430	65	60	12	4-Φ19
EHC-130C	5.5	1500	125	125	125	239	390	210	470	625	345	185	1078	3	530	1000	350	150	470	430	65	60	12	4-Φ19
EHC-130C	7.5	1500	125	125	125	258	390	210	470	625	345	185	1118	3	530	1000	350	150	470	430	65	60	12	4-Φ19
EHC-130C	11	1500	125	125	125	323	390	255	470	625	345	185	1203	3	570	1100	400	150	470	430	65	60	12	4-Φ19
EHC-130D	11	1500	125	100	140	323	440	255	575	685	370	200	1323	3	595	1200	450	150	470	430	65	60	12	4-Φ19
EHC-130D	15	1500	125	100	140	345	440	255	575	685	370	200	1368	3	595	1200	450	150	470	430	65	60	12	4-Φ19
EHC-151C	7.5	1500	150	150	140	258	427	210	470	625	345	200	1133	3	533	1000	350	150	470	430	65	60	12	4-Φ19
EHC-151C	11	1500	150	150	140	323	427	255	470	625	345	200	1218	3	570	1100	400	150	470	430	65	60	12	4-Φ19
EHC-150E	15	1500	150	125	140	345	576	255	530	865	465	170	1324	4	955	1200	450	150	550	500	65	60	25	4-Φ19
EHC-150E	18.5	1500	150	125	140	352	576	255	530	865	465	170	1344	4	710	1200	450	150	550	500	65	60	25	4-Φ19
EHC-150E	22	1500	150	125	140	371	576	285	530	865	465	170	1384	4	710	1300	500	150	550	500	65	60	25	4-Φ19
EHC-201B	7.5	1500	200	200	140	258	450	219	470	685	370	200	1133	3	558	1000	350	150	470	430	65	60	12	4-Φ19
EHC-201B	11	1500	200	200	140	323	450	255	470	685	370	200	1218	3	595	1100	400	150	470	430	65	60	12	4-Φ19
EHC-210C	15	1500	200	200	140	345	470	255	470	725	370	200	1263	3	595	1100	400	150	470	430	65	60	12	4-Φ19
EHC-210C	18.5	1500	200	200	140	352	470	255	470	725	370	200	1283	3	615	1100	400	150	470	430	65	60	12	4-Φ19

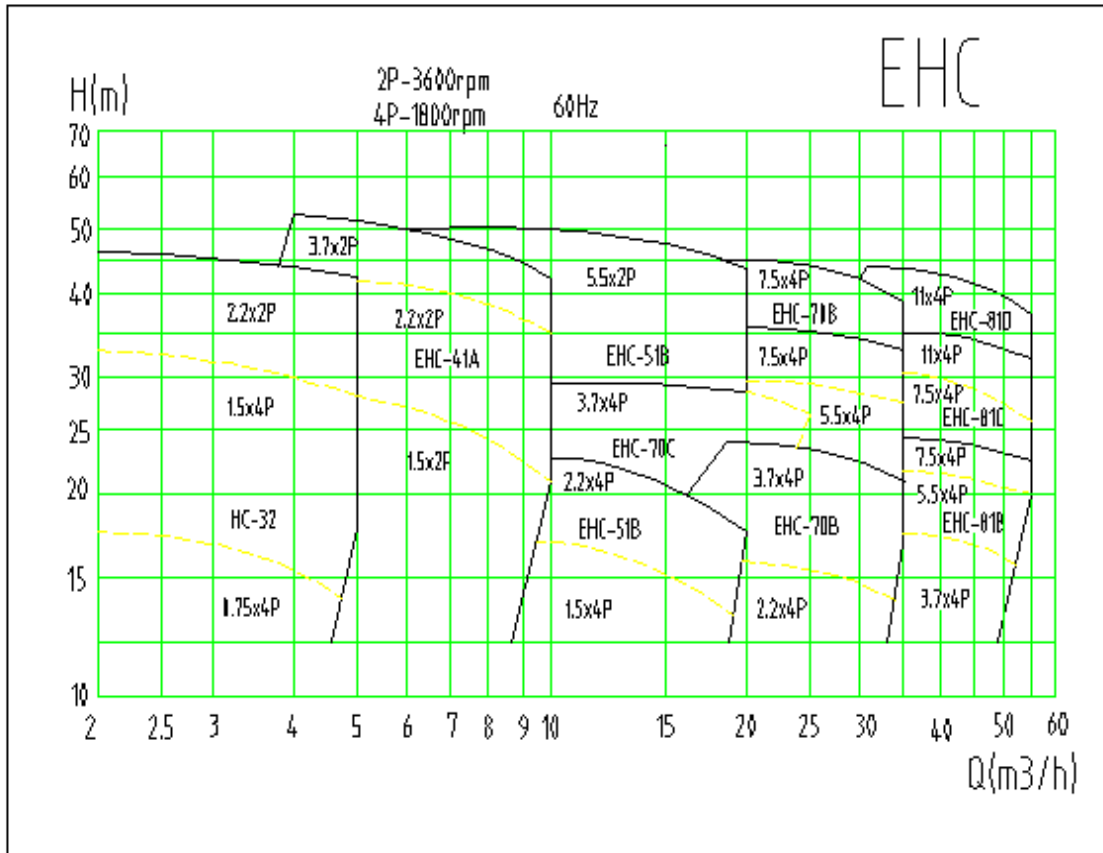
● THE CAPABILITY TABLE OF THE EHC-TYPE WITH 60Hz

TYPE		CAPACITY		TOTAL HEAD (m)	SPEED (rpm)	POWER (KW)		MOTOR-TYPE
		m ³ /h	l/min			SHAFT POWER	MATCHING POWER	
EHC-41A	-3.7*2	5.00	83	51.00	3600	2.30	3.7	YH112M-2B3
		8.50	142	45.00		2.80		
		10.00	167	40.00		2.80		
	-2.2*2	5.00	83	34.00	3600	1.50	2.2	YH90L-2B3
		8.50	142	32.50		1.90		
		10.00	167	28.00		1.90		
	-1.5*2	5.00	83	27.00	3600	1.20	1.5	YH90S-2B3
		8.00	133	22.50		1.25		
		10.00	167	17.00		1.20		
EHC-41B	-1.5	7.00	117	17.50	1800	.90	1.5	YH90L-4B3
		11.50	192	15.00		1.25		
		14.00	233	10.00		1.30		
EHC-51B	-2.2	10.00	167	22.50	1800	1.40	2.2	YH100L1-4B3
		16.00	267	20.00		1.70		
		20.00	333	17.00		1.90		
	-1.5	9.00	150	15.00	1800	.90	1.5	YH90L-4B3
		15.00	250	12.50		1.00		
		18.00	300	10.00		1.00		
	-11*2	12.00	200	74.00	3600	6.50	11	YH160M1-2B3
		20.00	333	65.00		7.50		
		24.00	400	55.00		8.00		
	-7.5*2	12.00	200	56.00	3600	5.00	7.5	YH132S2-2B3
		20.00	333	50.00		6.00		
		24.00	400	32.00		5.00		
	-5.5*2	11.50	192	46.00	3600	4.00	5.5	YH132S1-2B3
		19.00	317	40.00		4.80		
		23.00	383	28.00		4.40		
	-3.7*2	11.00	183	30.00	3600	2.50	4	YH112M-2B3
		18.00	300	25.00		3.00		
		22.00	366	20.00		3.00		
EHC-70B	-3.7	18.00	300	22.00	1800	2.10	4	YH112M-4B3
		30.00	500	20.00		2.70		
		36.00	600	18.00		2.90		
	-2.2	18.00	300	15.00	1800	1.50	2.2	YH100L1-4B3
		30.00	500	12.00		1.60		
		36.00	600	10.00		1.60		
	-11*2	20.00	333	60.00	3600	7.50	11	YH160M1-4B3
		32.00	533	55.00		9.00		
		40.00	667	47.00		9.50		
-7.5*2	17.00	283	42.00	3600	4.50	7.5	YH132S2-2B3	
	28.00	467	40.00		6.50			
	34.00	567	63.00		6.50			
EHC-70C	-7.5	25.00	417	34.00	1800	4.50	7.5	YH132M-4B3
		40.00	667	30.00		6.00		
		50.00	833	24.00		6.60		
	-5.5	25.00	417	27.00	1800	4.00	5.5	YH132S-4B3
		40.00	667	22.50		4.50		
		50.00	633	15.00		4.50		
	-3.7	20.00	333	27.00	1800	2.50	4	YH112M-4B3
		35.00	584	17.50		3.00		
		40.00	667	14.00		3.10		

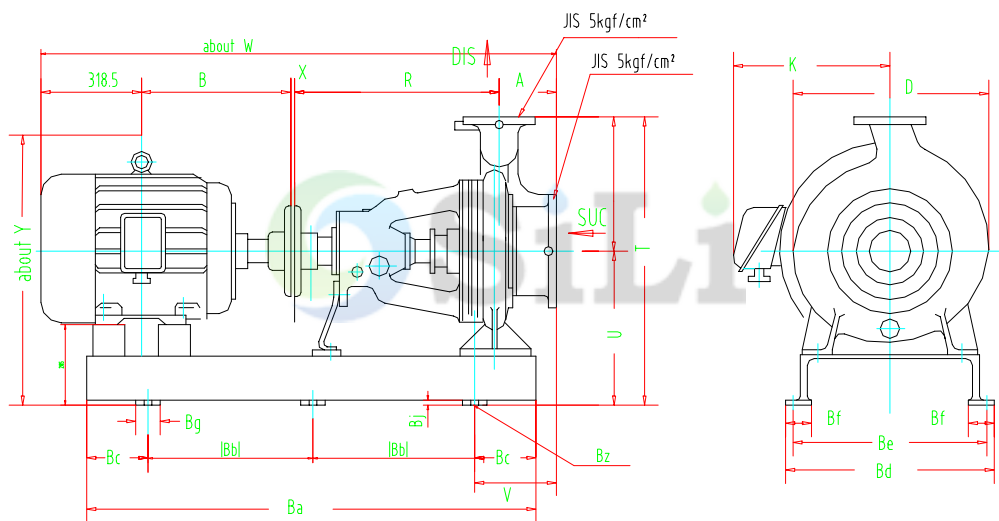
TYPE		CAPACITY		TOTAL HEAD (m)	SPEED (rpm)	POWER (KW)		MOTOR-TYPE
		m ³ /h	l/min			SHAFT POWER	MATCHING POWER	
EHC-81B	-7.5	35.00	584	22.50	1800	3.90	7.5	YH132M-4B3
		55.00	917	20.00		4.80		
		70.00	1167	16.00		5.30		
	-5.5	35.00	584	21.00	1800	3.30	5.5	YH132S-4B3
		55.00	917	18.00		4.10		
		70.00	1167	13.00		4.30		
	-3.7	35.00	584	16.00	1800	2.50	4	YH112M-4B3
		55.00	917	13.00		3.00		
		70.00	1167	9.00		3.10		
	-18.5*2	30.00	500	58.00	3600	11.00	18.5	YH160L-2B3
		50.00	833	55.00		13.50		
		60.00	1000	25.00		12.50		
-15*2	30.00	500	51.00	3600	9.30	15	YH160M2-2B3	
	50.00	833	45.00		11.00			
	60.00	1000	20.00		9.60			
EHC-81C	-11	30.00	500	33.00	1800	6.50	11	YH160M-4B3
		50.00	833	30.00		7.50		
		60.00	1000	28.00		8.50		
	-7.5	35.00	584	28.00	1800	6.00	7.5	YH132M-4B3
		55.00	917	25.00		6.50		
		70.00	1167	20.00		6.70		
	-5.5	25.00	417	21.00	1800	3.20	5.5	YH132S-4B3
		45.00	750	17.50		3.80		
		50.00	833	16.00		4.00		
EHC-81D	-11	25.00	417	44.00	1800	7.00	11	YH160M-4B3
		45.00	750	40.00		8.50		
		50.00	833	37.50		9.00		
	-7.5	25.00	417	33.00	1800	5.20	7.5	YH132M-4B3
		42.50	708	27.50		5.80		
		50.00	833	24.00		5.70		
EHC-101D	-18.5	40.00	667	49.00	1800	10.00	18.5	YH180M-4B3
		70.00	1167	42.50		14.00		
		80.00	1333	38.00		14.50		
	-15	40.00	667	44.00	1800	9.20	15	YH160L-4B3
		70.00	1167	35.00		11.00		
		80.00	1333	30.00		11.10		
	-11	35.00	584	35.00	1800	6.40	11	YH160M-4B3
		60.00	1000	30.00		8.00		
		70.00	1167	27.50		9.00		
EHC-130C	-15	55.00	917	34.00	1800	8.50	15	YH160L-4B3
		90.00	1500	30.00		11.50		
		110.00	1833	25.00		12.50		
	-11	50.00	833	30.00	1800	7.00	11	YH160M-4B3
		85.00	1417	25.00		9.00		
		100.00	1667	21.00		9.00		
	-7.5	50.00	833	23.00	1800	5.50	7.5	YH132M-4B3
		85.00	1417	17.50		6.00		
		100.00	1667	12.50		5.50		

TYPE		CAPACITY		TOTAL HEAD (m)	SPEED (rpm)	POWER (KW)		MOTOR-TYPE
		m ³ /h	l/min			SHAFT POWER	MATCHING POWER	
EHC-130D	-30	60.00	1000	59.00	1800	17.00	30	YH200L-4B3
		100.00	1667	50.00		22.00		
		120.00	2000	44.00		13.00		
	-22	50.00	833	53.00	1800	14.50	22	YH180L-4B3
		85.00	1417	45.00		16.50		
		100.00	1667	38.00		16.00		
	-18.5	50.00	833	50.00	1800	14.00	18.5	YH180M-4B3
		85.00	1417	40.00		17.00		
		100.00	1667	32.00		17.50		
	-15	50.00	833	45.00	1800	11.00	15	YH160L-4B3
		85.00	1417	35.00		13.00		
		100.00	1667	27.50		13.50		
	-11	40.00	667	37.00	1800	8.00	11	YH160M-4B3
		70.00	1167	30.00		9.00		
		80.00	1333	26.00		10.00		
EHC-151C	-18.5	65.00	1083	33.00	1800	10.00	18.5	YH180M-4B3
		110.00	1833	30.00		12.00		
		130.00	2167	28.00		13.00		
	-15	65.00	1083	31.00	1800	9.60	15	YH160L-4B3
		110.00	1833	26.00		11.00		
		130.00	2167	23.00		12.50		
	-11	65.00	1083	27.00	1800	8.50	11	YH160M-4B3
		110.00	1833	22.50		10.00		
		130.00	2167	19.00		10.30		
EHC-150E	-37	90.00	1500	64.00	1800	29.00	37	EH225S-4B3
		150.00	2500	50.00		35.00		
		180.00	3000	32.00		31.00		
	-30	90.00	1500	55.00	1800	25.00	30	EH200L-4B3
		150.00	2500	40.00		28.00		
		180.00	3000	27.00		26.00		
	-22	80.00	1333	42.00	1800	15.00	22	YH180L-4B3
		140.00	2333	25.00		16.40		
		160.00	2667	11.00		11.00		
EHC-201B	-18.5	120.00	2000	22.50	1800	13.00	18.5	YH180M-4B3
		200.00	3333	20.00		15.50		
		240.00	4000	17.50		16.00		
	-15	120.00	2000	21.00	1800	11.70	15	YH160L-4B3
		200.00	3333	18.00		14.00		
		240.00	4000	15.00		14.00		
	-11	120.00	2000	16.00	1800	9.00	11	YH160M-4B3
		200.00	3333	12.00		9.30		
		240.00	4000	7.50		8.00		
EHC-201C	-30	135.00	2250	33.00	1800	20.00	30	YH200L-4B3
		225.00	3750	30.00		25.00		
		270.00	4500	25.00		26.00		
	-22	135.00	2250	27.50	1800	17.40	22	YH180L-4B3
		225.00	3750	22.50		18.60		
		270.00	4500	17.50		18.00		
	-18.5	120.00	2000	24.00	1800	14.00	18.5	YH180M-4B3
		200.00	3333	20.00		15.00		
		240.00	4000	15.00		14.00		

● THE CURVE OF CAPABILITY



● DIMENSION



TYPE	MOTOR		BORE		DIMENSION (mm)																			
	KW	RPM	SUC	DIS	A	B	D	K	R	T	U	V	W	X	Y	Ba	Bb	Bc	Bd	Be	Bf	Bg	Bj	Bz
EHC-32	1.5	3600	32	32	80	169	270	155	260	330	190	180	633	3	284	500	175	75	275	240	55	50	12	4-Φ15
EHC-32	2.2	3600	32	32	80	183	270	155	260	330	190	180	693	3	299	600	200	100	275	240	55	50	12	4-Φ15
EHC-32	.75	3600	32	32	80	140	270	150	260	330	190	180	633	3	273	500	175	75	275	240	55	50	12	4-Φ15
EHC-41A	1.5	3600	40	40	80	169	270	155	360	400	240	145	763	3	375	700	255	125	325	290	55	50	12	4-Φ15
EHC-41A	2.2	3600	40	40	80	183	270	155	360	400	240	145	793	3	398	700	255	125	325	290	55	50	12	4-Φ15
EHC-41A	4	3600	40	40	80	200	270	190	360	400	240	145	848	3	398	800	250	150	325	290	55	50	12	4-Φ15
EHC-41B	1.5	1800	40	40	80	168	260	155	360	450	270	145	793	3	375	700	225	125	325	290	55	50	12	4-Φ15
EHC-51B	1.5	1800	50	50	100	169	268	155	360	450	270	165	813	3	405	700	225	125	325	290	55	50	12	4-Φ15
EHC-51B	2.2	1800	50	50	100	183	268	155	360	450	270	165	848	3	420	800	250	150	325	290	55	50	12	4-Φ15
EHC-51B	5.5	3600	50	50	100	239	268	210	360	450	270	165	943	3	458	800	250	150	325	290	55	50	12	4-Φ15
EHC-70B	5.5	1800	65	65	100	200	268	190	360	470	270	165	868	3	428	800	250	150	325	290	55	50	12	4-Φ15
EHC-70B	7.5	3600	65	65	100	258	268	210	360	470	270	165	943	3	458	800	250	150	325	290	55	50	12	4-Φ15
EHC-70B	4	1800	65	65	100	183	268	155	360	470	270	165	848	3	420	700	225	125	325	290	55	50	12	4-Φ15
EHC-70C	5.5	1800	65	65	100	239	338	210	360	515	290	165	943	3	478	800	250	150	390	350	65	60	12	4-Φ15
EHC-70C	7.5	1800	65	65	100	258	338	269	360	515	290	165	983	3	478	900	275	175	390	350	65	60	12	4-Φ15
EHC-70C	4	1800	65	65	100	200	338	190	360	515	290	165	868	3	448	800	250	150	390	350	65	60	12	4-Φ15
EHC-81B	4	1800	80	80	100	200	326	190	360	515	290	165	868	3	448	800	250	150	390	350	65	60	12	4-Φ15
EHC-81B	5.5	1800	80	80	100	239	326	210	360	515	290	165	943	3	478	800	250	150	390	350	65	60	12	4-Φ15
EHC-81B	7.5	1800	80	80	100	258	326	210	360	515	290	165	983	3	478	900	275	175	390	350	65	60	12	4-Φ15
EHC-81C	7.5	1800	80	80	100	258	364	210	470	570	320	160	1093	3	508	1000	350	150	470	430	65	60	12	4-Φ15
EHC-81C	11	1800	80	80	100	323	364	255	470	570	320	160	1178	3	545	1100	400	15	470	430	65	60	12	4-Φ15
EHC-81D	11	1800	80	80	125	323	413	255	470	625	345	185	1203	3	570	1100	400	150	470	430	65	60	12	4-Φ19
EHC-81D	7.5	1800	80	80	125	258	413	210	470	625	345	185	1118	3	533	1000	350	150	470	430	65	60	12	4-Φ19
EHC-101D	11	1800	100	100	125	323	413	255	470	685	370	185	1203	2	595	1100	400	150	470	430	65	60	12	4-Φ19
EHC-101D	15	1800	100	100	125	345	413	255	470	685	370	185	1248	2	595	1100	400	150	470	430	65	60	12	4-Φ19
EHC-130C	15	1800	125	125	125	345	390	263	470	625	345	185	1248	3	570	1100	400	150	470	430	65	60	12	4-Φ19
EHC-130C	11	1800	125	125	125	323	390	228	470	625	345	185	1203	3	570	1100	400	150	470	430	65	60	12	4-Φ19
EHC-130C	7.5	1800	125	125	125	258	390	206	470	625	345	185	1118	3	533	1000	350	150	470	430	65	60	12	4-Φ19
EHC-130D	22	1800	125	100	140	370.5	440	323	575	685	370	200	1428	3	615	1200	450	150	470	430	65	60	12	4-Φ19
EHC-130D	18.5	1800	125	100	140	351.5	440	296	575	685	370	200	1388	3	615	1200	450	150	470	430	65	60	12	4-Φ19
EHC-130D	15	1800	125	100	140	345	440	263	575	685	370	200	1368	3	595	1200	450	150	470	430	65	60	12	4-Φ19
EHC-130D	30	1800	125	100	140	395.5	440	363	575	685	370	200	1498	3	645	1200	450	150	470	430	65	60	12	4-Φ19
EHC-150E	30	1800	150	125	140	395.5	576	363	530	865	445	170	1384	4	710	1300	500	125	550	500	65	60	25	4-Φ19
EHC-150E	37	1800	150	125	140	432	576	382	530	865	445	170	1454	4	740	1300	500	125	550	500	65	60	25	4-Φ19
EHC-150E	45	1800	150	125	140	444.5	576	382	530	865	445	170	1499	4	770	1300	500	125	550	500	65	60	25	4-Φ19
EHC-151C	18.5	1800	150	150	140	352	427	296	470	625	345	200	1283	3	590	1100	400	150	470	430	65	60	12	4-Φ19
EHC-151C	15	1800	150	150	140	345	427	263	470	625	345	200	1263	3	570	1100	400	150	470	430	65	60	12	4-Φ19
EHC-151C	11	1800	150	150	140	323	427	228	470	625	345	200	1218	3	570	1100	400	150	470	430	65	60	12	4-Φ19
EHC-210B	11	1800	200	200	140	323	450	282	470	685	370	200	1218	3	595	1100	400	150	470	430	65	60	12	4-Φ19
EHC-210B	15	1800	200	200	140	345	450	263	470	685	370	200	1868	3	595	1100	400	150	470	430	65	60	12	4-Φ19
EHC-201C	18.5	1800	200	200	140	352	475	296	470	725	370	200	1283	3	615	1100	400	150	470	430	65	60	12	4-Φ19
EHC-201C	22	1800	200	200	140	371	475	296	470	725	370	200	1323	3	615	1200	450	150	470	430	65	60	12	4-Φ19