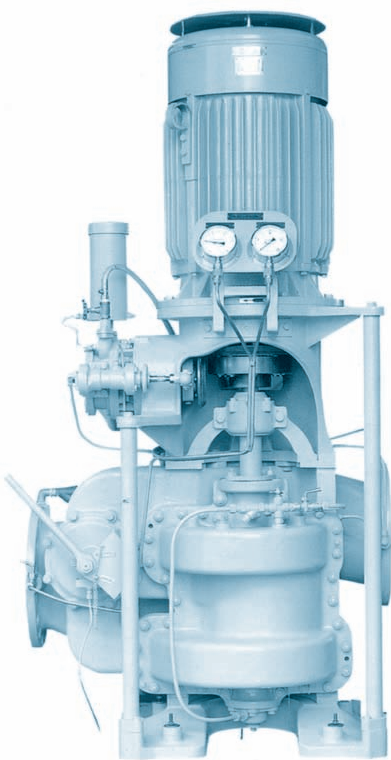




CENTRIFUGAL PUMP

VS-S



Application

Fire & G.S. Pump
Bilge & Ballast Pump

Feature

Vertical Two-stage Single-suction
Split-casing Type

SILI PUMP,
Your reliable one-stop supplier of marine pumps.

Shanghai SILI PUMP Industry Co., Ltd.
Add: No.128 Jinyuan Road, 201518, Shanghai, China (Jinyuan Industry Area)
Tel: 0086-21-39109967, fax: 0086-21-39109967
Web: www.silipump.com e-mail: sales@silipump.com
(The company reserves the right to make alteration without notice)

| | | |
|----------------------------------|-------|---|
| I. APPLICATION | | 1 |
| II. CONSTRUCTION | | 1 |
| III. NAME & MATERIAL | | 1 |
| IV. MODEL CODE | | 2 |
| V. CAPABILITY TABLE (50HZ) | | 2 |
| VI. CURVE OF CAPABILITY (50HZ) | | 3 |
| VII. DIMENSION (50HZ) | | 3 |
| VIII. CAPABILITY TABLE (60HZ) | | 4 |
| VIII. CURVE OF CAPABILITY (60HZ) | | 4 |
| IX. DIMENSION (60HZ) | | 5 |
| X. BACK | | |

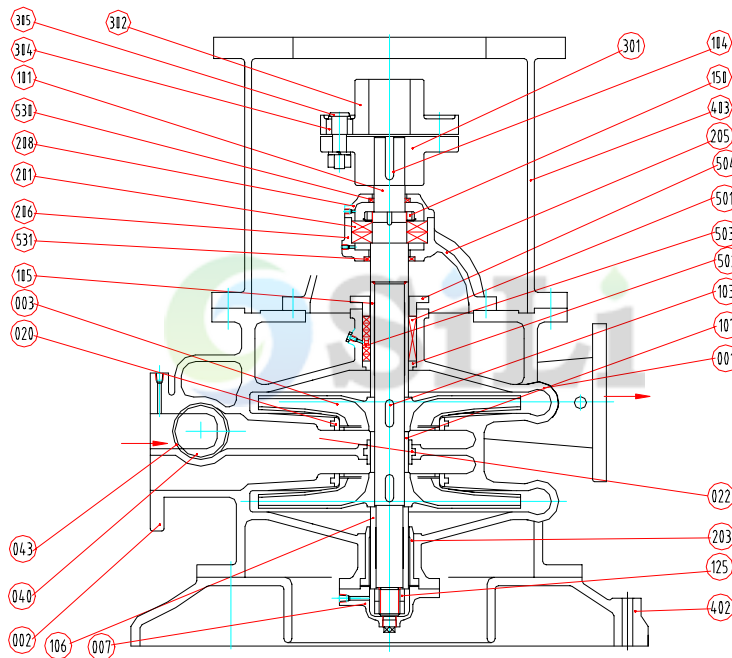
● APPLICATION

Fire & General Service, Bilge & Ballast.

● CONSTRUCTION

The pump casing of the type VSN-Sis vertically split type. Suction inlet and discharge outlet are arranged on both sides of rear casing, so that the pump can be dismantled and inspected without removing the connection pipe. The impellers for the type VSN-S, which is used for two different purposes are constructed so as to be operated in series or parallel running by use of valve fitted on the branch suction.

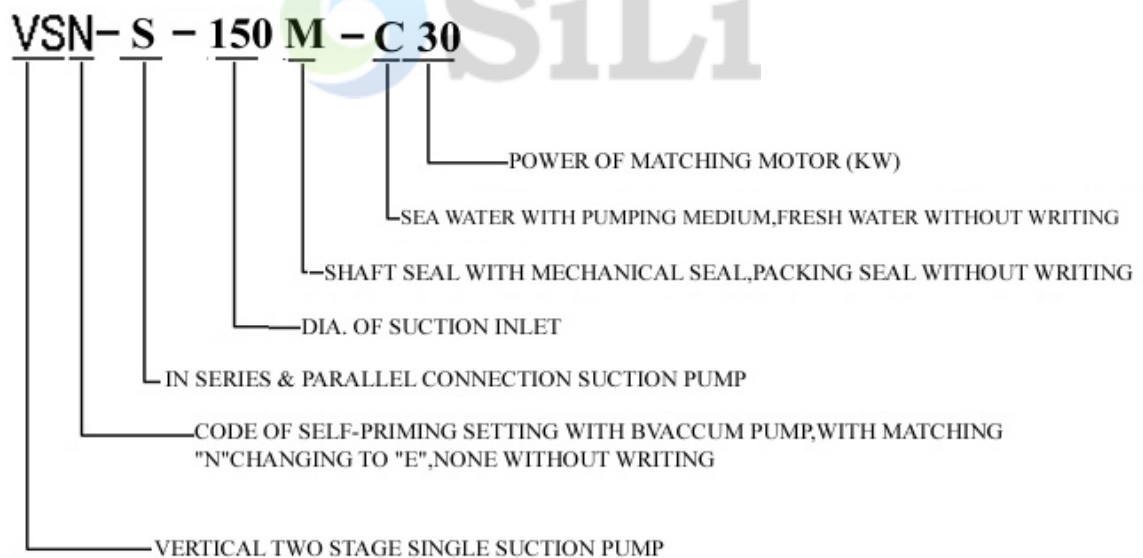
● NAME & MATERIAL



| serial number | name | number | material | |
|---------------|-----------------|--------|-----------------|-----------------|
| | | | seawater | freshwater |
| 001 | casing | 1 | bronze | cast iron |
| 002 | casing cover | 1 | bronze | cast iron |
| 003 | impeller | 1 | bronze | bronze |
| 007 | bottom cover | 1 | bronze casting | bronze casting |
| 020 | casing ring | 2 | bronze | bronze |
| 022 | stage bush | 1 | bronze casting | bronze casting |
| 035 | check valve | 1 | rubber | rubber |
| 101 | shaft | 1 | stainless steel | stainless steel |
| 103 | impeller key | 2 | stainless steel | stainless steel |
| 104 | coupling key | 1 | carbon steel | carbon steel |
| 105 | sleeve | 1 | stainless steel | stainless steel |
| 106 | sleeve | 1 | stainless steel | stainless steel |
| 127 | sleeve nut | 2 | stainless steel | stainless steel |
| 150 | bearing nut | 1 | mild steel | mild steel |
| 201 | ball bearing | 1 | bearing steel | bearing steel |
| 203 | bottom metal | 1 | lead bronze | lead bronze |
| 205 | bearing housing | 1 | cast iron | cast iron |

| | | | | |
|-----|---------------|-------|-----------------|-----------------|
| 206 | housing cover | 1 | cast iron | cast iron |
| 208 | bearing cover | 1 | cast iron | cast iron |
| 301 | coupling | 1 | mild steel | mild steel |
| 304 | coupling bush | | rubber | rubber |
| 305 | coupling bolt | 4 | carbon steel | carbon steel |
| 402 | bed | 1 | cast iron | cast iron |
| 403 | motor frame | 1 | cast iron | cast iron |
| 405 | support | 2 | bronze gas pipe | bronze gas pipe |
| 501 | gland packing | 5 (1) | | |
| 503 | lantern ring | 1 | bronze | bronze |
| 504 | gland | 1 | bronze | bronze |
| 530 | oil seal | 1 | rubber | rubber |
| 531 | oil seal | 1 | rubber | rubber |

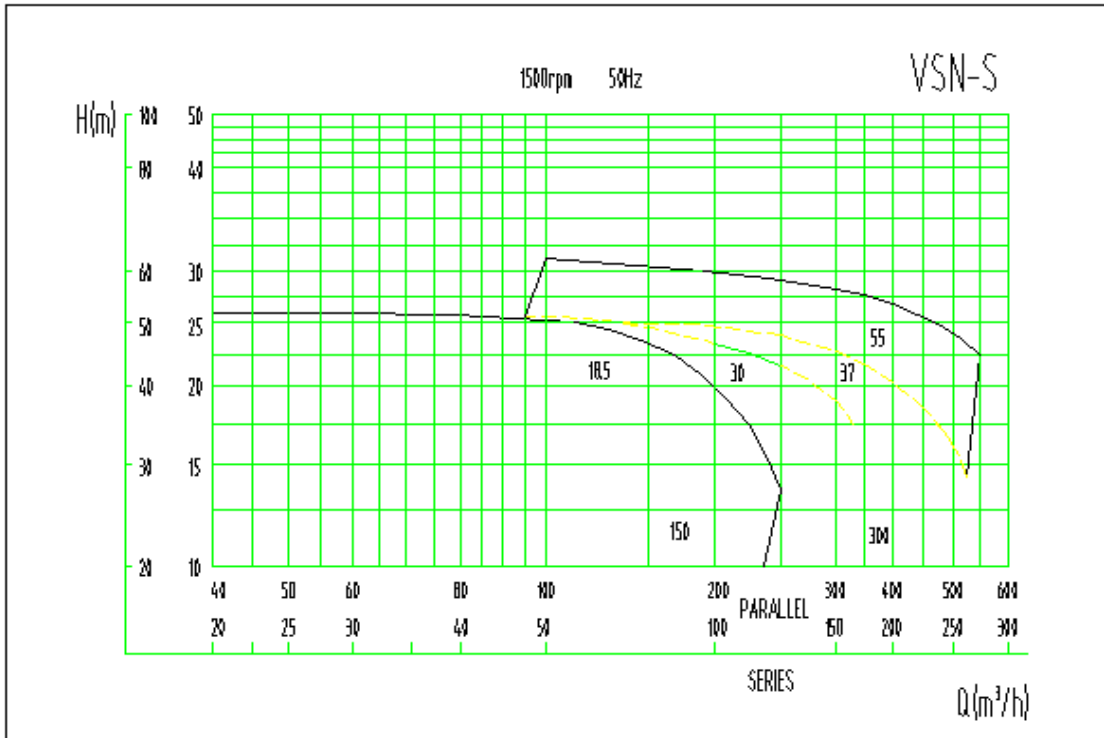
● MODEL CODE



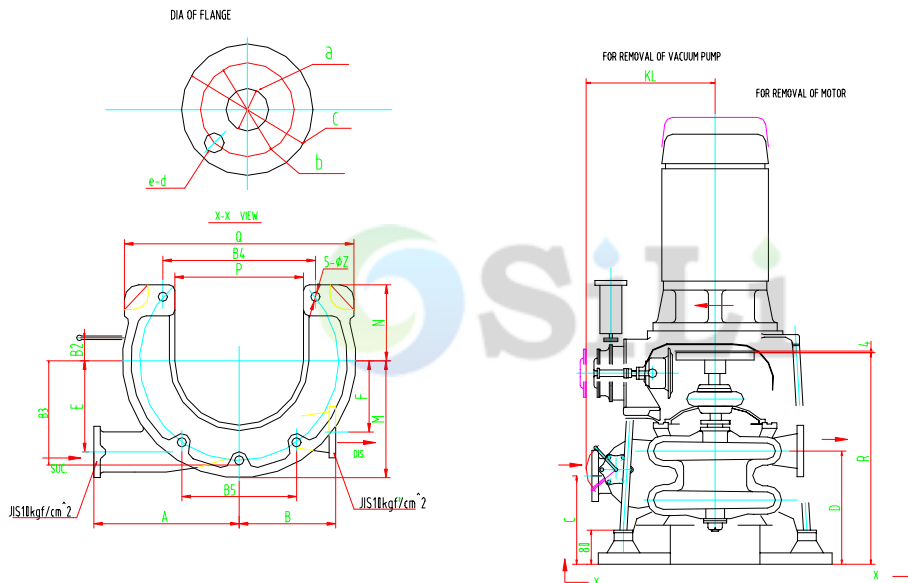
● THE CAPABILITY TABLE OF THE VSN-S-TYPE WITH 50Hz

| TYPE | | CAPACITY | | TOTAL HEAD (m) | SPEED (rpm) | POWER (KW) | | MOTOR-TYPE |
|-----------|-------|-------------------|-----------|----------------|-------------|-------------|----------------|------------|
| | | m ³ /h | l/min | | | SHAFT POWER | MATCHING POWER | |
| VSN-S-150 | -18.5 | 60/120 | 1000/2000 | 50/25 | 1500 | 14 | 18.5 | YH180M-4V1 |
| | | 100/200 | 1667/3333 | 40/20 | | 16 | | |
| | | 120/240 | 2000/4000 | 30/15 | | 18 | | |
| VSN-S-300 | -55 | 140/280 | 2334/4667 | 56/28 | 1500 | 37 | 55 | YH250M-4V1 |
| | | 240/480 | 4000/8000 | 50/25 | | 47 | | |
| | | 280/560 | 4667/9333 | 45/22.5 | | 49 | | |
| | -37 | 120/240 | 2000/4000 | 48/24 | 1500 | 29 | 37 | YH225S-4V1 |
| | | 200/400 | 3333/6667 | 40/20 | | 32 | | |
| | | 240/480 | 4000/8000 | 37/17.5 | | 34 | | |
| -30 | | 90/180 | 1500/3000 | 46/23 | 1500 | 21 | 30 | YH200L-4V1 |
| | | 150/300 | 2500/5000 | 38/19 | | 23 | | |
| | | 180/360 | 3000/6000 | 30/15 | | 23 | | |

● THE CURVE OF CAPABILITY



● DIMENSION

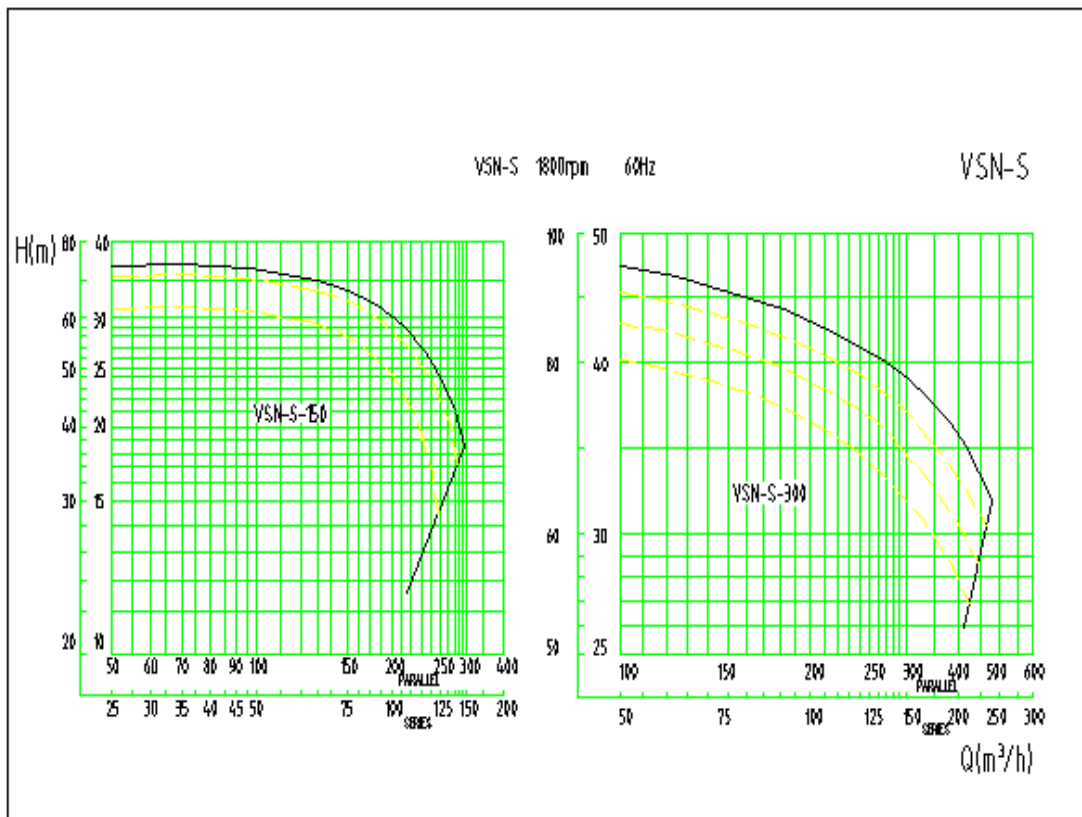


| TYPE | MOTOR | | BORE | | DIMENSION (mm) | | | | | | | | | | | | | | | | | | | | | | |
|-----------|-------|------|------|-----|----------------|-----|-----|-----|-----|-----|-----|-----|-----|-----|-----|------|-----|-----|-----|-----|-----|----|-----|-----|-----|----|----|
| | KW | RPM | SUC | DIS | A | B | C | D | E | F | KL | M | N | P | Q | R | B1 | B2 | B3 | B4 | B5 | BZ | a | b | c | d | e |
| VSN-S-150 | 18.5~ | 1500 | 150 | 150 | 550 | 340 | 385 | 485 | 240 | 280 | 700 | 365 | 303 | 260 | 750 | 825 | 160 | 226 | 320 | 452 | 554 | 28 | 150 | 240 | 280 | 20 | 8 |
| VSN-S-300 | 30~37 | 1500 | 300 | 300 | 680 | 420 | 450 | 570 | 300 | 320 | 810 | 365 | 303 | 260 | 750 | 1120 | 160 | 226 | 320 | 452 | 554 | 28 | 300 | 400 | 445 | 25 | 16 |

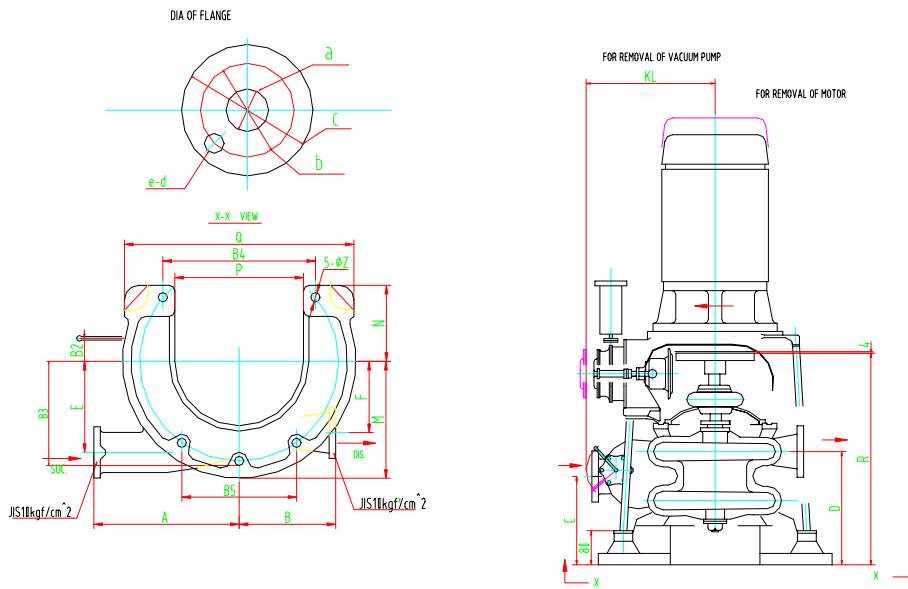
● THE CAPABILITY TABLE OF THE VSN-S-TYPE WITH 60Hz

| TYPE | CAPACITY | | TOTAL HEAD (m) | SPEED (rpm) | POWER (KW) | | MOTOR-TYPE | |
|-----------|-------------------|---------|----------------|-------------|-------------|----------------|------------|------------|
| | m ³ /h | l/min | | | SHAFT POWER | MATCHING POWER | | |
| VSN-S-150 | -30 | 60/120 | 1000/2000 | 73/37 | 1800 | 19.5 | 30 | YH200L-4V1 |
| | | 100/200 | 1667/3333 | 65/32.5 | | 25.5 | | |
| | | 120/240 | 2000/4000 | 58/29 | | 28 | | |
| | -30 | 60/120 | 1000/2000 | 65/32.5 | 1800 | 19.3 | 30 | YH200L-4V1 |
| | | 100/200 | 1667/3333 | 55/27.5 | | 23 | | |
| | | 120/240 | 2000/4000 | 46/23 | | 23 | | |
| | -22 | 54/108 | 900/1800 | 60/30 | 1800 | 17.6 | 22 | YH180L-4V1 |
| | | 90/180 | 1500/3000 | 50/25 | | 18.8 | | |
| | | 108/216 | 1800/3600 | 42/21 | | 19.6 | | |
| VSN-S-300 | -90 | 175/350 | 2917/5833 | 82/41 | 1800 | 64 | 90 | YH280M-4V1 |
| | | 300/600 | 5000/10000 | 70/35 | | 79 | | |
| | | 350/700 | 5833/11667 | 62/31 | | 80 | | |
| | -75 | 135/270 | 2250/4500 | 70/35 | 1800 | 46 | 75 | YH280S-4V1 |
| | | 225/450 | 3750/7500 | 60/30 | | 52.5 | | |
| | | 270/540 | 4500/9000 | 52/26 | | 55 | | |
| | -45 | 120/240 | 2000/4000 | 66/33 | 1800 | 38 | 45 | YH225M-4V1 |
| | | 200/400 | 3333/6667 | 50/25 | | 40 | | |
| | | 240/480 | 4000/8000 | 42/21 | | 42 | | |

● THE CURVE OF CAPABILITY



● DIMENSION



| TYPE | MOTOR | | BORE | | DIMENSION (mm) | | | | | | | | | | | | | | | | | | | | | | |
|-----------|-------|------|------|-----|----------------|-----|-----|-----|-----|-----|-----|-----|-----|-----|-----|------|-----|-----|-----|-----|-----|----|-----|-----|-----|----|----|
| | KW | RPM | SUC | DIS | A | B | C | D | E | F | KL | M | N | P | Q | R | B1 | B2 | B3 | B4 | B5 | BZ | a | b | c | d | e |
| VSN-S-150 | 22~30 | 1800 | 150 | 150 | 550 | 340 | 385 | 485 | 240 | 280 | 700 | 365 | 303 | 260 | 750 | 825 | 160 | 226 | 320 | 452 | 554 | 28 | 150 | 240 | 280 | 20 | 8 |
| VSN-S-300 | 45~75 | 1800 | 300 | 300 | 680 | 420 | 450 | 570 | 300 | 320 | 810 | 365 | 303 | 260 | 750 | 1120 | 160 | 226 | 320 | 452 | 554 | 28 | 300 | 400 | 445 | 25 | 16 |