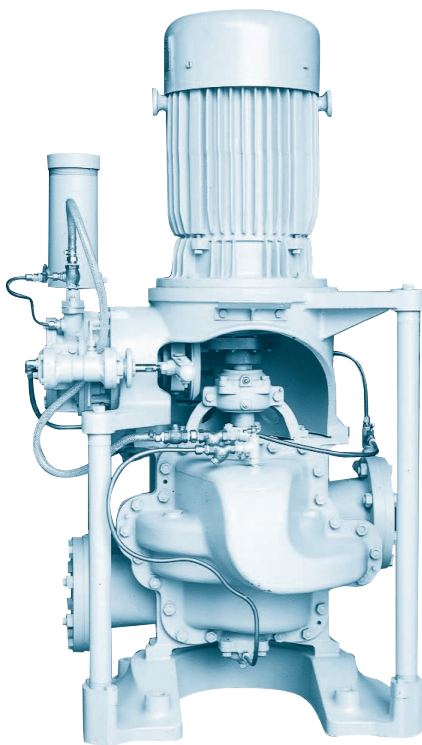




# CENTRIFUGAL PUMP VS



## Application

Fire & G.S. Pump  
Bilge & Ballast Pump

## Feature

Vertical Two-stage Single-suction  
Split-casing Type

**SILI PUMP,**  
**Your reliable one-stop supplier of marine pumps.**

Shanghai SILI PUMP Industry Co., Ltd.  
Add: No.128 Jinyuan Road, 201518, Shanghai, China (Jinyuan Industry Area)  
Tel: 0086-21-39109967, fax: 0086-21-39109967  
Web: [www.silipump.com](http://www.silipump.com) e-mail: [sales@silipump.com](mailto:sales@silipump.com)  
(The company reserves the right to make alteration without notice)

---

|                                  |       |   |
|----------------------------------|-------|---|
| <b>I. APPLICATION</b>            | ..... | 1 |
| II. CONSTRUCTION                 | ..... | 1 |
| III. NAME & MATERIAL             | ..... | 1 |
| IV. MODEL CODE                   | ..... | 2 |
| V. CAPABILITY TABLE (50HZ)       | ..... | 2 |
| VI. CURVE OF CAPABILITY (50HZ)   | ..... | 3 |
| VII. DIMENSION (50HZ)            | ..... | 4 |
| VIII. CAPABILITY TABLE (60HZ)    | ..... | 5 |
| VIII. CURVE OF CAPABILITY (60HZ) | ..... | 6 |
| IX. DIMENSION (60HZ)             | ..... | 7 |
| X. BACK                          |       |   |

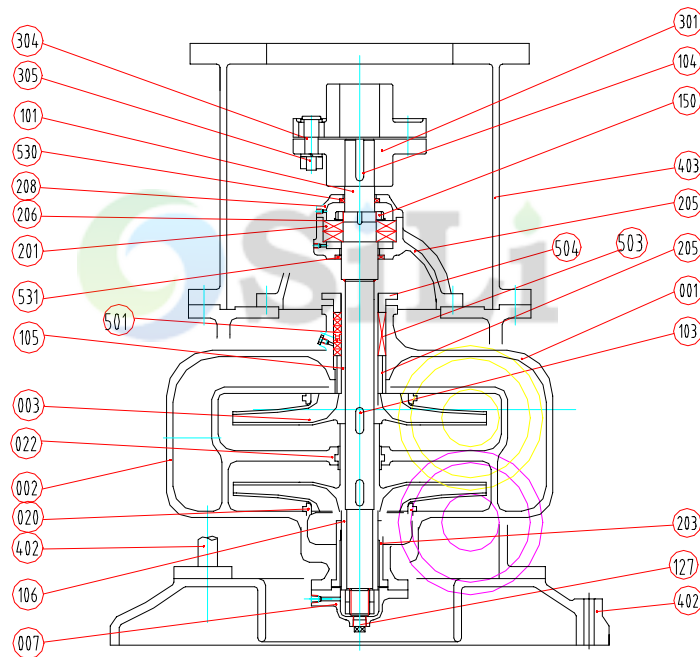
## ● APPLICATION

Fire & General Service, Bilge & Ballast, Cooling Fresh Water, Cooling Fresh Water.

## ● CONSTRUCTION

The pump casing of the type VSN is vertically split type. Suction inlet and discharge outlet are arranged on both sides of rear casing, so that the pump can be dismantled and inspected without removing the connection pipe. The pump can be used as an automatic self-priming pump by fitting a vacuum pump (type: N-20) of an air ejector.

## ● NAME & MATERIAL

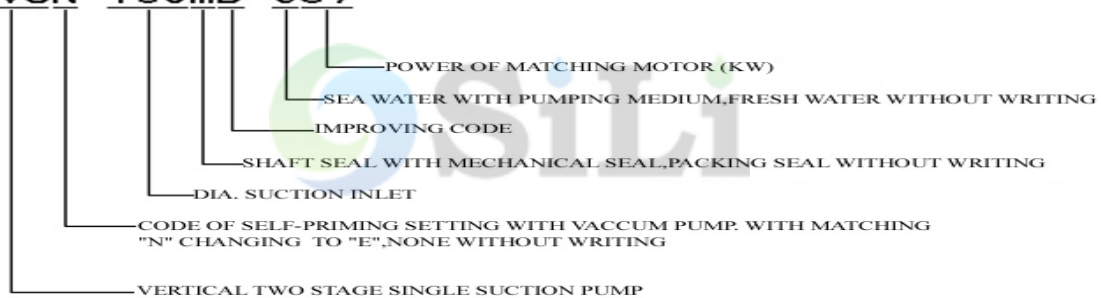


| serial number | name            | number | material        |                 |
|---------------|-----------------|--------|-----------------|-----------------|
|               |                 |        | seawater        | freshwater      |
| 001           | casing          | 1      | bronze          | cast iron       |
| 002           | casing cover    | 1      | bronze          | cast iron       |
| 003           | impeller        | 1      | bronze          | bronze          |
| 007           | bottom cover    | 1      | bronze casting  | bronze casting  |
| 020           | casing ring     | 2      | bronze          | bronze          |
| 022           | stage bush      | 1      | bronze casting  | bronze casting  |
| 035           | check valve     | 1      | rubber          | rubber          |
| 101           | shaft           | 1      | stainless steel | stainless steel |
| 103           | impeller key    | 2      | stainless steel | stainless steel |
| 104           | coupling key    | 1      | carbon steel    | carbon steel    |
| 105           | sleeve          | 1      | stainless steel | stainless steel |
| 106           | sleeve          | 1      | stainless steel | stainless steel |
| 127           | sleeve nut      | 2      | stainless steel | stainless steel |
| 150           | bearing nut     | 1      | mild steel      | mild steel      |
| 201           | ball bearing    | 1      | bearing steel   | bearing steel   |
| 203           | bottom metal    | 1      | lead bronze     | lead bronze     |
| 205           | bearing housing | 1      | cast iron       | cast iron       |
| 206           | housing cover   | 1      | cast iron       | cast iron       |
| 208           | bearing cover   | 1      | cast iron       | cast iron       |
| 301           | coupling        | 1      | mild steel      | mild steel      |

|     |               |       |                 |                 |
|-----|---------------|-------|-----------------|-----------------|
| 304 | coupling bush |       | rubber          | rubber          |
| 305 | coupling bolt | 4     | carbon steel    | carbon steel    |
| 402 | bed           | 1     | cast iron       | cast iron       |
| 403 | motor frame   | 1     | cast iron       | cast iron       |
| 405 | support       | 2     | bronze gas pipe | bronze gas pipe |
| 501 | gland packing | 5 (1) |                 |                 |
| 503 | lantern ring  | 1     | bronze          | bronze          |
| 504 | gland         | 1     | bronze          | bronze          |
| 530 | oil seal      | 1     | rubber          | rubber          |
| 531 | oil seal      | 1     | rubber          | rubber          |

## ● MODEL CODE

**VSN-150MB-C37**

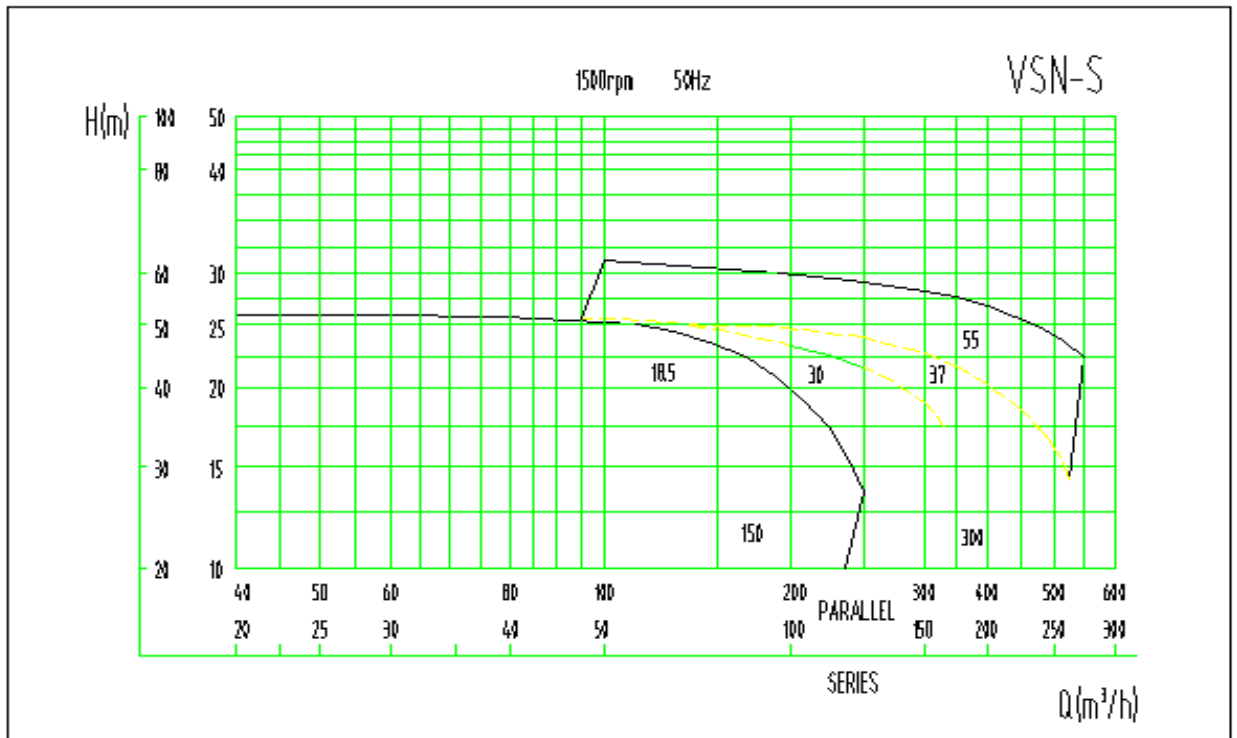


## ● THE CAPABILITY TABLE OF THE VSN-TYPE WITH 50Hz

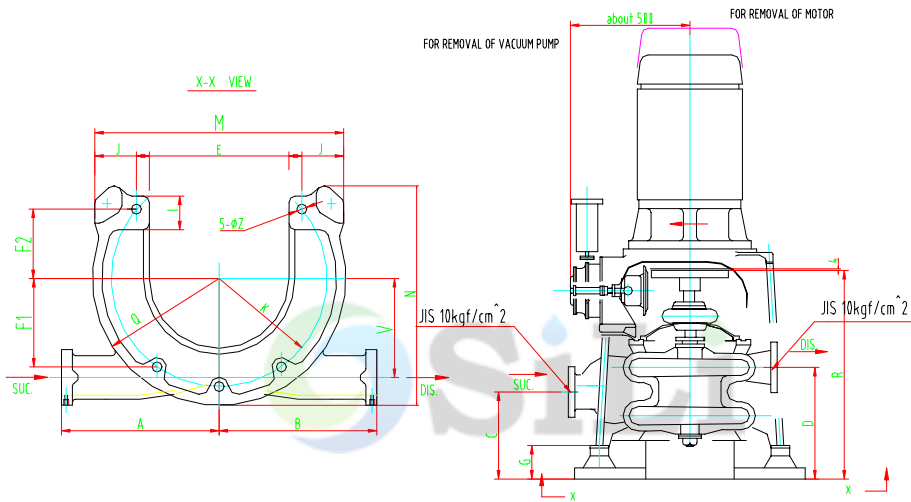
| TYPE     |       | CAPACITY          |       | TOTAL HEAD (m) | SPEED (rpm) | POWER (KW)  |                | MOTOR-TYPE |
|----------|-------|-------------------|-------|----------------|-------------|-------------|----------------|------------|
|          |       | m <sup>3</sup> /h | l/min |                |             | SHAFT POWER | MATCHING POWER |            |
| VSN-100  | -11   | 20.00             | 333   | 57.00          | 1500        | 7.80        | 11             | YH160M-4V1 |
|          |       | 35.00             | 583   | 50.00          |             | 9.50        |                |            |
|          |       | 40.00             | 667   | 45.00          |             | 9.80        |                |            |
|          | -7.5  | 20.00             | 333   | 42.00          | 1500        | 5.70        | 7.5            | YH132M-4V1 |
|          |       | 35.00             | 583   | 35.00          |             | 6.70        |                |            |
|          |       | 40.00             | 667   | 30.00          |             | 6.50        |                |            |
| VSN-125  | -15   | 45.00             | 750   | 44.00          | 1500        | 9.80        | 15             | YH160L-4V1 |
|          |       | 75.00             | 1250  | 40.00          |             | 12.50       |                |            |
|          |       | 90.00             | 1500  | 35.00          |             | 14.00       |                |            |
|          | -11   | 40.00             | 667   | 39.00          | 1500        | 8.00        | 11             | YH160M-4V1 |
|          |       | 65.00             | 1083  | 35.00          |             | 9.80        |                |            |
|          |       | 80.00             | 1333  | 30.00          |             | 11.00       |                |            |
| VSN-150  | -22   | 70.00             | 1167  | 49.00          | 1500        | 16.00       | 22             | YH180L-4V1 |
|          |       | 115.00            | 1917  | 40.00          |             | 18.50       |                |            |
|          |       | 140.00            | 2333  | 32.00          |             | 19.00       |                |            |
|          | -18.5 | 65.00             | 1083  | 41.00          | 1500        | 13.00       | 18.5           | YH180M-4V1 |
|          |       | 110.00            | 1833  | 35.00          |             | 16.00       |                |            |
|          |       | 130.00            | 2167  | 30.00          |             | 17.00       |                |            |
|          | -15   | 65.00             | 1083  | 37.00          | 1500        | 12.00       | 15             | YH160L-4V1 |
|          |       | 110.00            | 1833  | 30.00          |             | 14.00       |                |            |
|          |       | 130.00            | 2167  | 26.00          |             | 14.50       |                |            |
| VSN-150B | -37   | 70.00             | 1167  | 74.00          | 1500        | 25.50       | 37             | YH225S-4V1 |
|          |       | 120.00            | 2000  | 60.00          |             | 30.00       |                |            |
|          |       | 140.00            | 2333  | 50.00          |             | 32.00       |                |            |
|          | -30   | 70.00             | 1167  | 67.00          | 1500        | 23.50       | 30             | YH200L-4V1 |
|          |       | 120.00            | 2000  | 52.00          |             | 27.50       |                |            |
|          |       | 140.00            | 2333  | 43.00          |             | 28.00       |                |            |
|          | -30   | 70.00             | 1167  | 59.00          | 1500        | 21.00       | 30             | YH200L-4V1 |
|          |       | 120.00            | 2000  | 45.00          |             | 24.00       |                |            |
|          |       | 140.00            | 2333  | 35.00          |             | 23.00       |                |            |
|          | -22   | 70.00             | 1167  | 54.00          | 1500        | 20.00       | 22             | YH180L-4V1 |
|          |       | 120.00            | 2000  | 38.00          |             | 20.50       |                |            |
|          |       | 140.00            | 2333  | 28.00          |             | 19.50       |                |            |

| TYPE     |      | CAPACITY          |       | TOTAL HEAD (m) | SPEED (rpm) | POWER (KW)  |                | MOTOR-TYPE |
|----------|------|-------------------|-------|----------------|-------------|-------------|----------------|------------|
|          |      | m <sup>3</sup> /h | l/min |                |             | SHAFT POWER | MATCHING POWER |            |
| VSN-200  | -30  | 80.00             | 1333  | 57.00          | 1500        | 24.00       | 30             | YH200L-4V1 |
|          |      | 130.00            | 2167  | 50.00          |             | 28.50       |                |            |
|          |      | 160.00            | 2667  | 42.00          |             | 29.50       |                |            |
|          | -30  | 85.00             | 1417  | 46.00          | 1500        | 21.00       | 30             | YH200L-4V1 |
|          |      | 140.00            | 2333  | 40.00          |             | 25.00       |                |            |
|          |      | 170.00            | 2833  | 35.00          |             | 27.00       |                |            |
|          | -22  | 85.00             | 1417  | 42.00          | 1500        | 19.50       | 22             | YH180L-4V1 |
|          |      | 140.00            | 2333  | 35.00          |             | 21.00       |                |            |
|          |      | 170.00            | 2833  | 29.00          |             | 21.00       |                |            |
| VSN-250  | -45  | 145.00            | 2417  | 48.00          | 1500        | 34.50       | 45             | YH225M-4V1 |
|          |      | 240.00            | 4000  | 40.00          |             | 38.50       |                |            |
|          |      | 290.00            | 4833  | 30.00          |             | 35.00       |                |            |
|          | -37  | 245.00            | 2417  | 44.00          | 1500        | 32.00       | 37             | YH225S-4V1 |
|          |      | 240.00            | 4000  | 36.00          |             | 36.00       |                |            |
|          |      | 290.00            | 4833  | 27.00          |             | 34.50       |                |            |
|          | -30  | 145.00            | 2417  | 37.00          | 1500        | 26.00       | 30             | YH200L-4V1 |
|          |      | 240.00            | 4000  | 30.00          |             | 28.00       |                |            |
|          |      | 290.00            | 4833  | 17.00          |             | 22.00       |                |            |
| VSN-250B | -110 | 180.00            | 3000  | 87.00          | 1500        | 90.00       | 110            | YH315S-4V1 |
|          |      | 300.00            | 5000  | 75.00          |             | 85.00       |                |            |
|          |      | 360.00            | 6000  | 66.00          |             | 90.00       |                |            |
|          | -90  | 155.00            | 2583  | 74.00          | 1500        | 82.00       | 90             | YH280M-4V1 |
|          |      | 260.00            | 4333  | 65.00          |             | 65.00       |                |            |
|          |      | 310.00            | 5167  | 60.00          |             | 72.00       |                |            |
|          | -75  | 155.00            | 2583  | 64.00          | 1500        | 45.00       | 75             | YH280S-4V1 |
|          |      | 260.00            | 4333  | 55.00          |             | 56.50       |                |            |
|          |      | 310.00            | 5167  | 49.00          |             | 60.00       |                |            |
|          | -55  | 155.00            | 2583  | 59.00          | 1500        | 43.50       | 55             | YH250M-4V1 |
|          |      | 260.00            | 4333  | 45.00          |             | 47.00       |                |            |
|          |      | 310.00            | 5167  | 37.00          |             | 47.00       |                |            |
|          | -45  | 145.00            | 2417  | 51.00          | 1500        | 35.00       | 45             | YH225M-4V1 |
|          |      | 240.00            | 4000  | 40.00          |             | 40.00       |                |            |
|          |      | 290.00            | 4833  | 32.00          |             | 39.00       |                |            |

● THE CURVE OF CAPABILITY



● DIMENSION



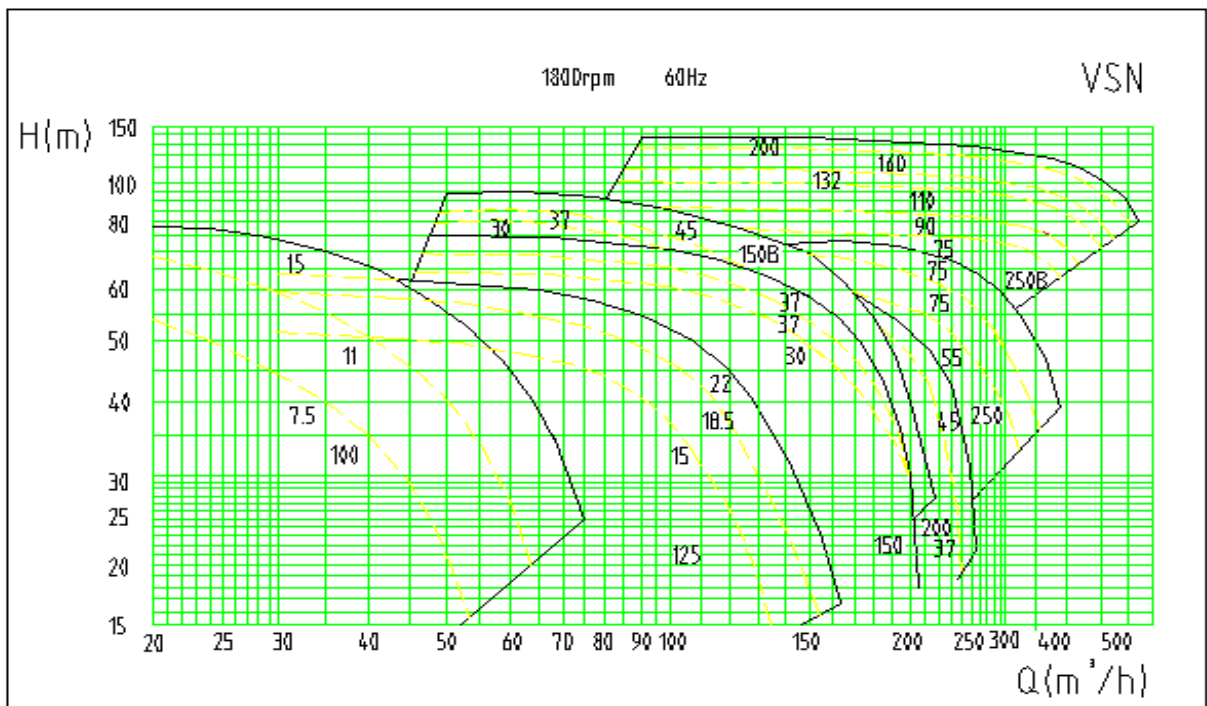
| TYPE     | BORE |     | DIMENSION (mm) |     |     |     |     |     |     |    |     |     |     |     |     |     |      |     |    |
|----------|------|-----|----------------|-----|-----|-----|-----|-----|-----|----|-----|-----|-----|-----|-----|-----|------|-----|----|
|          | SUC  | DIS | A              | B   | C   | D   | E   | F1  | F2  | G  | I   | J   | K   | M   | N   | Q   | R    | V   | Z  |
| VSN-100  | 100  | 100 | 300            | 270 | 220 | 380 | 368 | 130 | 184 | 80 | 80  | 175 | 310 | 590 | 550 | 260 | 846  | 170 | 24 |
| VSN-125  | 125  | 125 | 290            | 320 | 262 | 442 | 354 | 125 | 177 | 90 | 105 | 180 | 300 | 630 | 555 | 250 | 960  | 175 | 26 |
| VSN-150  | 150  | 150 | 370            | 350 | 245 | 428 | 424 | 150 | 212 | 90 | 120 | 215 | 360 | 750 | 663 | 300 | 876  | 210 | 28 |
| VSN-150B | 150  | 150 | 350            | 330 | 262 | 442 | 424 | 150 | 212 | 90 | 120 | 215 | 360 | 750 | 663 | 300 | 972  | 200 | 28 |
| VSN-200  | 200  | 200 | 370            | 350 | 245 | 428 | 424 | 150 | 212 | 90 | 120 | 215 | 360 | 750 | 663 | 300 | 876  | 210 | 28 |
| VSN-250  | 250  | 250 | 400            | 430 | 290 | 552 | 424 | 150 | 212 | 90 | 120 | 215 | 360 | 750 | 663 | 300 | 955  | 210 | 28 |
| VSN-250B | 250  | 250 | 430            | 430 | 290 | 490 | 452 | 160 | 226 | 80 | 113 | 245 | 365 | 750 | 668 | 320 | 1095 | 330 | 28 |

● THE CAPABILITY TABLE OF THE VSN-TYPE WITH 60Hz

| TYPE     |       | CAPACITY          |       | TOTAL HEAD (m) | SPEED (rpm) | POWER (KW)  |                | MOTOR-TYPE |
|----------|-------|-------------------|-------|----------------|-------------|-------------|----------------|------------|
|          |       | m <sup>3</sup> /h | l/min |                |             | SHAFT POWER | MATCHING POWER |            |
| VSN-100  | -18.5 | 25.00             | 417   | 82.00          | 1800        | 13.00       | 18.5           | YH180M-4V1 |
|          |       | 42.50             | 708   | 70.00          |             | 16.00       |                |            |
|          |       | 50.00             | 833   | 63.00          |             | 16.50       |                |            |
|          | -15   | 25.00             | 417   | 74.00          | 1800        | 12.00       | 15             | YH160L-4V1 |
|          |       | 42.50             | 708   | 60.00          |             | 13.00       |                |            |
|          |       | 50.00             | 833   | 54.00          |             | 14.00       |                |            |
|          | -11   | 25.00             | 417   | 58.00          | 1800        | 9.90        | 11             | YH160M-4V1 |
|          |       | 42.50             | 708   | 45.00          |             | 10.20       |                |            |
|          |       | 50.00             | 833   | 38.00          |             | 10.50       |                |            |
|          | -7.5  | 24.00             | 400   | 45.00          | 1800        | 7.10        | 7.5            | YH132M-4V1 |
|          |       | 40.00             | 667   | 35.00          |             | 7.20        |                |            |
|          |       | 48.00             | 800   | 28.00          |             | 7.30        |                |            |
| VSN-125  | -30   | 60.00             | 1000  | 64.00          | 1800        | 18.00       | 30             | YH200L-4V1 |
|          |       | 100.00            | 1667  | 55.00          |             | 22.00       |                |            |
|          |       | 120.00            | 2200  | 44.00          |             | 22.00       |                |            |
|          | -22   | 55.00             | 917   | 58.00          | 1800        | 16.00       | 22             | YH180L-4V1 |
|          |       | 90.00             | 1500  | 50.00          |             | 19.00       |                |            |
|          |       | 110.00            | 1833  | 42.00          |             | 20.00       |                |            |
|          | -18.5 | 57.00             | 950   | 55.00          | 1800        | 16.00       | 18.5           | YH180M-4V1 |
|          |       | 95.00             | 1583  | 45.00          |             | 18.00       |                |            |
|          |       | 115.00            | 1916  | 35.00          |             | 18.00       |                |            |
|          | -15   | 55.00             | 917   | 44.00          | 1800        | 12.00       | 15             | YH160L-4V1 |
|          |       | 90.00             | 1500  | 35.00          |             | 14.00       |                |            |
|          |       | 110.00            | 1833  | 25.00          |             | 12.50       |                |            |
| VSN-150  | -37   | 80.00             | 1333  | 71.00          | 1800        | 26.00       | 37             | YH225S-4V1 |
|          |       | 130.00            | 2167  | 60.00          |             | 30.00       |                |            |
|          |       | 160.00            | 2667  | 50.00          |             | 31.50       |                |            |
|          | -30   | 80.00             | 1333  | 60.00          | 1800        | 22.00       | 30             | YH200L-4V1 |
|          |       | 130.00            | 2167  | 52.00          |             | 26.00       |                |            |
|          |       | 160.00            | 2667  | 43.00          |             | 27.50       |                |            |
|          | -30   | 80.00             | 1333  | 54.00          | 1800        | 20.00       | 30             | YH200L-4V1 |
|          |       | 130.00            | 2167  | 45.00          |             | 23.50       |                |            |
|          |       | 160.00            | 2667  | 37.00          |             | 24.50       |                |            |
|          | -22   | 80.00             | 1333  | 49.00          | 1800        | 16.00       | 22             | YH180L-4V1 |
|          |       | 130.00            | 2167  | 40.00          |             | 21.00       |                |            |
|          |       | 160.00            | 2667  | 31.00          |             | 21.50       |                |            |
| VSN-150B | -75   | 85.00             | 1417  | 107.00         | 1800        | 42.00       | 75             | YH280S-4V1 |
|          |       | 140.00            | 2333  | 90.00          |             | 50.00       |                |            |
|          |       | 170.00            | 2833  | 72.00          |             | 54.00       |                |            |
|          | -55   | 85.00             | 1417  | 102.00         | 1800        | 41.00       | 55             | YH250M-4V1 |
|          |       | 140.00            | 2333  | 82.00          |             | 48.00       |                |            |
|          |       | 170.00            | 2833  | 65.00          |             | 49.00       |                |            |
|          | -45   | 70.00             | 1167  | 88.00          | 1800        | 30.00       | 45             | YH225M-4V1 |
|          |       | 120.00            | 2000  | 75.00          |             | 39.00       |                |            |
|          |       | 140.00            | 2333  | 65.00          |             | 41.00       |                |            |
|          | -37   | 65.00             | 1083  | 81.00          | 1800        | 26.00       | 37             | YH225S-4V1 |
|          |       | 110.00            | 1833  | 70.00          |             | 33.00       |                |            |
|          |       | 130.00            | 2167  | 63.00          |             | 36.00       |                |            |
|          | -30   | 60.00             | 1000  | 70.00          | 1800        | 23.00       | 30             | YH200L-4V1 |
|          |       | 100.00            | 1667  | 65.00          |             | 28.00       |                |            |
|          |       | 120.00            | 2000  | 58.00          |             | 29.00       |                |            |

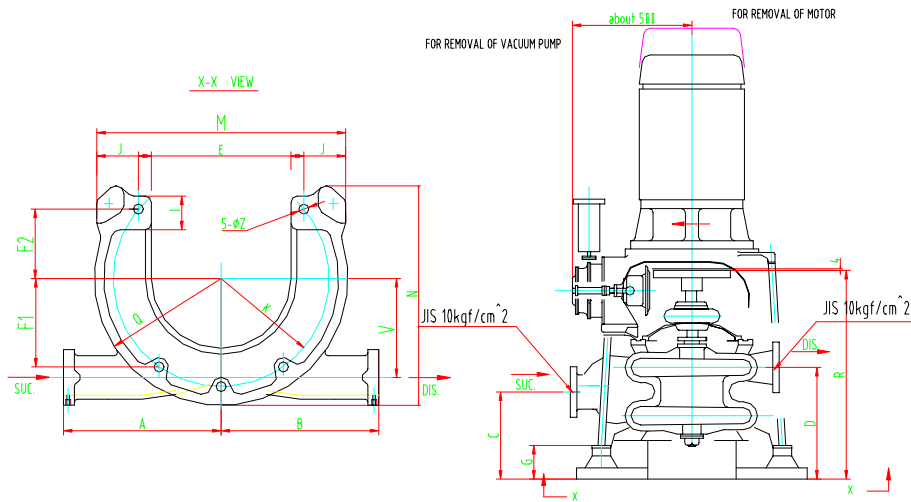
| TYPE     |      | CAPACITY          |       | TOTAL HEAD (m) | SPEED (rpm) | POWER (KW)  |                | MOTOR-TYPE  |
|----------|------|-------------------|-------|----------------|-------------|-------------|----------------|-------------|
|          |      | m <sup>3</sup> /h | l/min |                |             | SHAFT POWER | MATCHING POWER |             |
| VSN-200  | -55  | 95.00             | 1583  | 81.00          | 1800        | 39.00       | 55             | YH250M-4V1  |
|          |      | 160.00            | 2667  | 70.00          |             | 47.00       |                |             |
|          |      | 190.00            | 3167  | 62.00          |             | 49.00       |                |             |
|          | -45  | 95.00             | 1583  | 67.00          | 1800        | 32.00       | 45             | YH225M-4V1  |
|          |      | 160.00            | 2667  | 60.00          |             | 40.00       |                |             |
|          |      | 190.00            | 3167  | 54.00          |             | 43.00       |                |             |
|          | -37  | 90.00             | 1500  | 61.00          | 1800        | 28.00       | 37             | YH225S-4V1  |
|          |      | 150.00            | 2500  | 55.00          |             | 35.00       |                |             |
|          |      | 180.00            | 3000  | 49.00          |             | 37.00       |                |             |
| VSN-250  | -75  | 155.00            | 2583  | 70.00          | 1800        | 50.00       | 75             | YH280S-4V1  |
|          |      | 260.00            | 4333  | 60.00          |             | 62.00       |                |             |
|          |      | 310.00            | 5167  | 53.00          |             | 64.00       |                |             |
|          | -55  | 150.00            | 2500  | 57.00          | 1800        | 40.00       | 55             | YH250M-4V1  |
|          |      | 250.00            | 4167  | 50.00          |             | 49.00       |                |             |
|          |      | 300.00            | 5000  | 42.00          |             | 50.50       |                |             |
|          | -45  | 130.00            | 2167  | 48.00          | 1800        | 31.00       | 45             | YH225M-4V1  |
|          |      | 220.00            | 3667  | 40.00          |             | 35.00       |                |             |
|          |      | 260.00            | 4333  | 35.00          |             | 38.00       |                |             |
| VSN-250B | -200 | 210.00            | 3500  | 125.00         | 1800        | 120.00      | 200            | YH315L2-4V1 |
|          |      | 350.00            | 5833  | 110.00         |             | 140.00      |                |             |
|          |      | 420.00            | 7000  | 97.00          |             | 150.00      |                |             |
|          | -132 | 195.00            | 3250  | 106.00         | 1800        | 90.00       | 132            | YH315M-4V1  |
|          |      | 325.00            | 5417  | 95.00          |             | 115.00      |                |             |
|          |      | 390.00            | 6500  | 80.00          |             | 116.00      |                |             |
|          | -110 | 195.00            | 3250  | 94.00          | 1800        | 83.00       | 110            | YH315S-4V1  |
|          |      | 325.00            | 5174  | 80.00          |             | 100.00      |                |             |
|          |      | 390.00            | 6500  | 65.00          |             | 100.00      |                |             |
|          | -90  | 210.00            | 3500  | 80.00          | 1800        | 72.00       | 90             | YH280M-4V1  |
|          |      | 350.00            | 5833  | 60.00          |             | 81.00       |                |             |
|          |      | 420.00            | 7000  | 45.00          |             | 75.00       |                |             |
|          | -75  | 195.00            | 3250  | 71.00          | 1800        | 63.00       | 75             | YH280S-4V1  |
|          |      | 325.00            | 5147  | 50.00          |             | 68.00       |                |             |
|          |      | 390.00            | 6500  | 37.00          |             | 65.00       |                |             |

● THE CURVE OF CAPABILITY





● DIMENSION



| TYPE     | BORE |     | DIMENSION (mm) |     |     |     |     |     |     |    |     |     |     |     |     |     |      |     |    |
|----------|------|-----|----------------|-----|-----|-----|-----|-----|-----|----|-----|-----|-----|-----|-----|-----|------|-----|----|
|          | SUC  | DIS | A              | B   | C   | D   | E   | F1  | F2  | G  | I   | J   | K   | M   | N   | Q   | R    | V   | Z  |
| VSN-100  | 100  | 100 | 300            | 270 | 220 | 380 | 368 | 130 | 184 | 80 | 80  | 175 | 310 | 590 | 550 | 260 | 846  | 170 | 24 |
| VSN-125  | 125  | 125 | 290            | 320 | 262 | 442 | 354 | 125 | 177 | 90 | 105 | 180 | 300 | 630 | 555 | 250 | 960  | 175 | 26 |
| VSN-150  | 150  | 150 | 370            | 350 | 245 | 428 | 424 | 150 | 212 | 90 | 120 | 215 | 360 | 750 | 663 | 300 | 876  | 210 | 28 |
| VSN-150B | 150  | 150 | 350            | 330 | 262 | 442 | 424 | 150 | 212 | 90 | 120 | 215 | 360 | 750 | 663 | 300 | 972  | 200 | 28 |
| VSN-200  | 200  | 200 | 370            | 350 | 245 | 428 | 424 | 150 | 212 | 90 | 120 | 215 | 360 | 750 | 663 | 300 | 876  | 210 | 28 |
| VSN-250  | 250  | 250 | 400            | 430 | 290 | 552 | 424 | 150 | 212 | 90 | 120 | 215 | 360 | 750 | 663 | 300 | 955  | 210 | 28 |
| VSN-250B | 250  | 250 | 430            | 430 | 290 | 490 | 452 | 160 | 226 | 80 | 113 | 245 | 365 | 750 | 668 | 320 | 1095 | 330 | 28 |